

Line laser, red, 650 nm, 90°, 5 mW

XL650-5
Order Number: 70120738

Main Parameters (*)	min	typ	max	Unit
Wavelength		650		nm
Optical Diode Power		5		mW
Operating Voltage	3		4.5	V DC
Operating Current		20		mA
Operating Temperature	-20		50	°C
Storage Temperature	-40		80	°C

Main Data

Warranty 1 years

Technical Parameters

Lifetime >3,000 h
RoHS yes

Optical Parameters

Beam Shape	Line
Laser Class	1
Divergence	H - 1.0 mrad
Fan Angle	90°
Line Thickness	<1.2mm@1m
Operating Distance	1 m
Optics	acryl lense
Laser technology	diode
Focus	fixed (1000mm)

Electrical Parameters

Potential of Housing	VDD(+)
Battery	LR44/AG13 alkaline battery, 1.5V
Battery count	2

Mechanical Parameters

Size	Ø15x68 mm
Material	aluminium
Output Aperture	6 mm
Housing Color	black
Weight	80 g

(*) Over the complete operating temperature range

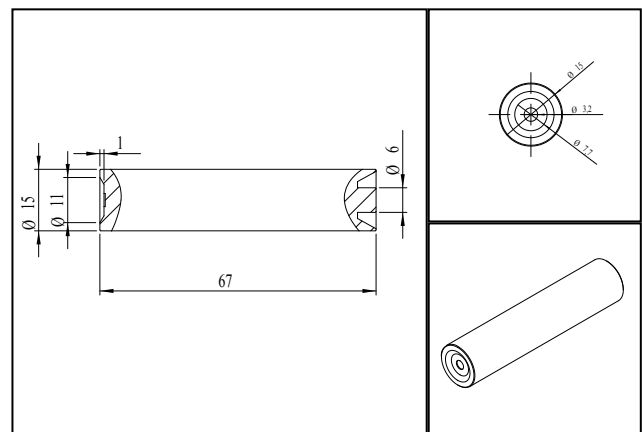
Features

- Made for Tabletop games
- Laser Class 1
- With battery
- Compact size
- Uniform line thickness

Picture



Drawing



Safety Label



Valid Revision

| 22-AUG-2024