

Line laser, red, 650 nm, 60°, 16 mW

RP-LH650-16-3(12x38)60-PL
Order Number: 70127096

Main Parameters (*)	min	typ	max	Unit
Wavelength		650		nm
Optical Output Power		16		mW
Operating Voltage	2.7	3	3.3	V DC
Operating Current		60		mA
Operating Temperature	-20		50	°C
Storage Temperature	-40		80	°C

Main Data

Warranty 1 years

Technical Parameters

Lifetime > 5,000 h
RoHS yes

Optical Parameters

Beam Shape Line
Laser Class 2
Divergence H - 1.0 mrad
Fan Angle 60°
Line Thickness <2mm@3m
Operating Distance 5 m
Optics glass lens AR coated
Laser technology diode
Protection Lens yes
Focus fixed (3000mm)

Electrical Parameters

Potential of Housing isolated
Power Supply with stripped/tinned wires, Output: 3.3V DC, Input: 100-240V AC, 50-60Hz, Output Power: 3.3W max.

Mechanical Parameters

Size Ø12x38 mm
Material aluminium
Cable length 100 mm
Wire type 26AWG, 0,14mm²
Output Aperture 5.5 mm
Weight 18 g

(*) Over the complete operating temperature range

Features



- High Power
- Protection lens
- Laser Class 2
- Operating Voltage 3V DC
- Fixed focus

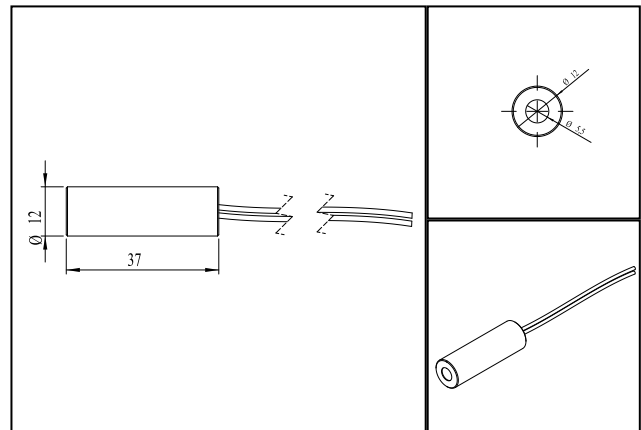
Picture



Cable color

Ground  black GND
Positive  red 2.7 - 3.3, typ 3 V DC

Drawing



Safety Label



Valid Revision

| 30-MAR-2022