

Line laser, red, 650 nm, 90 °, 3 mW

RP-LFL650-3-4.5(11x30)
Order Number: 70115871

Main Parameters (*)	min	typ	max	Unit
Wavelength		650		nm
Optical Output Power		3		mW
Operating Voltage	4	4.5	6	V DC
Operating Current	24	40	60	mA
Operating Temperature	-20		40	°C
Storage Temperature	-40		80	°C

Technical Parameters

Lifetime	>20000 h
RoHS	yes

Optical Parameters

Beam Shape	Line
Laser Class	1
Divergence	D - 0.5 mrad
Fan Angle	90 °
Line Thickness	1mm@1m
Operating Distance	1 m
Optics	glass lens AR coated
Laser technology	diode
Protection Lens	yes
Focus	fixed (1000mm)

Electrical Parameters

Potential of Housing	VDD(+)
Connector	MTA-100 (3-643814-4)

Mechanical Parameters

Size	Ø11x30 mm
Material	aluminium
Cable length	335 mm
Wire type	26AWG, 0,14mm ²
Output Aperture	3 mm
Weight	6 g

(*) Over the complete operating temperature range



Features

- Compact size
- Protection lens
- Glas lenses anti reflex coated
- Uniform illumination
- For medical devices

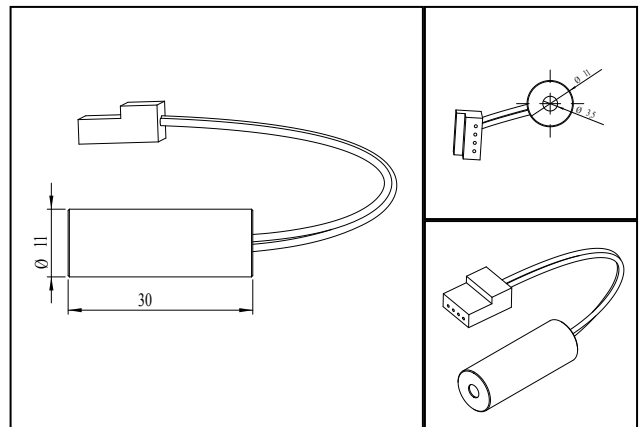
Picture



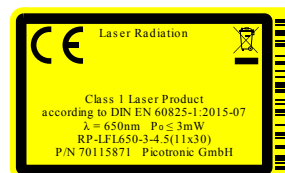
Cable color

Ground		black	GND
Positive		red	4 - 6, typ 4.5 V DC

Drawing



safety label



Valid Revision

REV 1 | 17-OCT-2016