

## Punkt-linien Laser, red, 635 nm, 25°, 5 mW

QLD635-5-6(9x20)25  
Order Number: 70115093

Main Parameters (*)	min	typ	max	Unit
Wavelength		635		nm
Optical Diode Power		5		mW
Operating Voltage	2.7	3	6	V DC
Operating Current	20	40	60	mA
Operating Temperature	-20		50	°C
Storage Temperature	-40		80	°C

### Main Data

Warranty 1 years

### Technical Parameters

Lifetime >5,000 h  
RoHS yes

### Optical Parameters

Beam Shape	Dot Line
Laser Class	2
Divergence	H - 1.0 mrad
Fan Angle	25°
Size of Laserdot	<5mm@5m
Line Thickness	<3mm@5m
Operating Distance	5 m
Optics	acryl lense
Laser technology	diode
Protection Lens	yes
Focus	fixed (5.0m)

### Electrical Parameters

Potential of Housing VDD(+)  
Power Supply with stripped/tinned wires, Output: 3.3V DC, Input: 100-240V AC, 50-60Hz, Output Power: 3.3W max.

### Mechanical Parameters

Size	Ø9x20 mm
Material	Brass
Cable length	100 mm
Wire type	26AWG, 0,14mm <sup>2</sup>
Output Aperture	6 mm
Weight	5.1 g

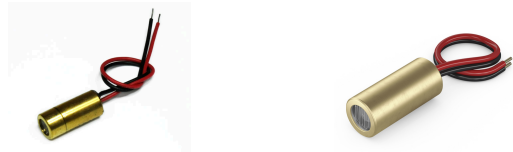
(\*) Over the complete operating temperature range

### Features





- Operating Voltage 3V DC
- Laser Class 2
- Fan angle 25°
- Fixed focus
- Compact size

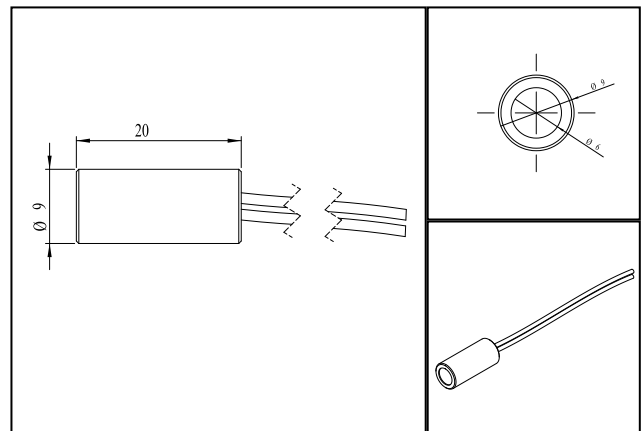
### Picture



### Cable color

Ground		black	GND
Positive		red	2.7 - 6, typ 3 V DC

### Drawing



### Safety Label



### Valid Revision

1 | 22-JUL-2020