

## Line laser, red, 650 nm, 90°, 24 mW

MLH650-24-5(16x45)-PL  
Order Number: 70110449

Main Parameters (*)	min	typ	max	Unit
Wavelength		650		nm
Optical Output Power		24		mW
Operating Voltage	4.5	5	5.5	V DC
Operating Current	50	71	95	mA
Operating Temperature	-20		50	°C
Storage Temperature	-40		80	°C

### Main Data

Warranty 1 years

### Technical Parameters

Lifetime > 5,000 h  
RoHS yes

### Optical Parameters

Beam Shape Line  
Laser Class 2M  
Divergence H - 1.0 mrad  
Fan Angle 90°  
Line Thickness < 1.5 mm @ 3 m  
Operating Distance 3 m  
Optics glass lens AR coated  
Laser technology Single Mode Diode  
Protection Lens yes  
Focus fixed (3000 mm)

### Electrical Parameters

Potential of Housing isolated  
Max. Mod. Frequency 200 kHz

### Mechanical Parameters

Size Ø16x45 mm  
Material aluminium  
Cable length 100 mm  
Wire type 26AWG, 0,14 mm<sup>2</sup>  
Output Aperture 5.5 mm  
Housing Color black  
Weight 25 g  
Stripping of wire 5 mm

(\*) Over the complete operating temperature range

### Features






- Operating Voltage 5 V DC
- Laser Class 2M
- Uniform illumination
- High Power
- Modulated

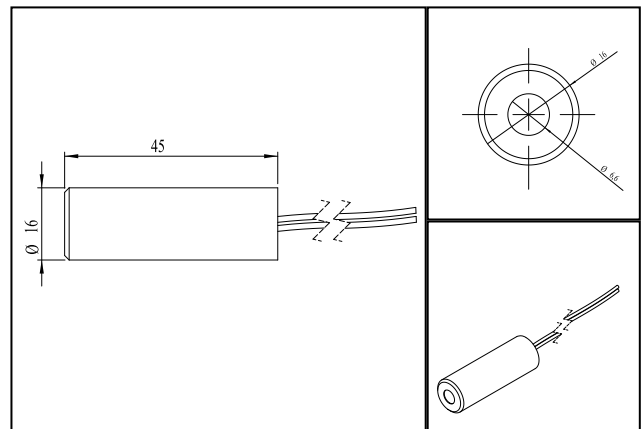
### Picture



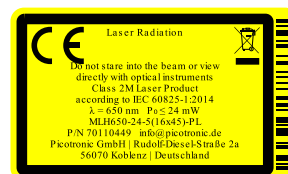
### Cable color

Ground		black	GND
Positive		red	4.5 - 5.5, typ 5 V DC
Modulation		yellow	200 kHz

### Drawing



### Safety Label



### Valid Revision

9 | 09-JUN-2016