

Line laser, red, 650 nm, 90°, 16 mW

MLH650-16-5(10x30)-F100
Order Number: 70116847

Main Parameters (*)	min	typ	max	Unit
Wavelength		650		nm
Optical Output Power		16		mW
Operating Voltage		5		V DC
Operating Current	30	60	90	mA
Operating Temperature	-20		50	°C
Storage Temperature	-40		80	°C

Main Data

Warranty 1 years

Technical Parameters

Lifetime > 5,000 h
RoHS yes

Optical Parameters

Beam Shape	Line
Laser Class	2
Divergence	H - 1.0 mrad
Fan Angle	90°
Line Thickness	<0.3mm@0.1m
Operating Distance	0.1 m
Optics	glass lens AR coated
Laser technology	diode
Protection Lens	no
Focus	fixed (100mm)

Electrical Parameters

Potential of Housing	isolated
Max. Mod. Frequency	200 kHz
Power Supply	Power Supply with stripped/tinned wires, Output: 5V DC, Input: 100-240V AC, 50-60Hz, Output Power: 3W max.

Mechanical Parameters

Size	Ø10x30 mm
Material	aluminium
Cable length	100 mm
Wire type	26AWG, 0,14mm ²
Output Aperture	4.5 mm
Housing Color	black
Weight	18 g
PCB	yes
PCB size	7.5x14x10 mm

(*) Over the complete operating temperature range

Features






- High Power
- Compact size
- Laser Class 2
- Operating Voltage 5V DC
- Fixed focus

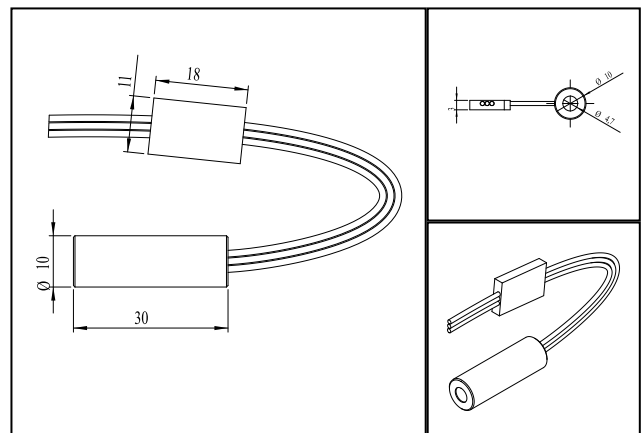
Picture



Cable color

Ground		black	GND
Positive		red	5 V DC
Modulation		yellow	200 kHz

Drawing



Safety Label



Valid Revision

12 | 17-DEC-2018