

Line laser, red, 650 nm, 60°, 16 mW

MLH650-16-5(10x30)-60DEG-F150
Order Number: 70117219

Main Parameters (*)	min	typ	max	Unit
Wavelength		650		nm
Optical Output Power		16		mW
Operating Voltage	4.5	5	5.5	V DC
Operating Current	30	60	90	mA
Operating Temperature	-20		50	°C
Storage Temperature	-40		80	°C

Main Data

Warranty 1 years

Technical Parameters

Lifetime > 5,000 h
RoHS yes

Optical Parameters

Beam Shape	Line
Laser Class	2
Divergence	H - 1.0 mrad
Fan Angle	60°
Line Thickness	<0.3mm@0.15m
Operating Distance	0.15 m
Optics	glass lens AR coated
Laser technology	Single Mode Diode
Protection Lens	no
Focus	fixed (150mm)

Electrical Parameters

Potential of Housing	isolated
Max. Mod. Frequency	200 kHz
Power Supply	Power Supply with stripped/tinned wires, Output: 5V DC, Input: 100-240V AC, 50-60Hz, Output Power: 3W max.

Mechanical Parameters

Size	Ø10x30 mm
Material	aluminium
Cable length	100 mm
Wire type	26AWG, 0,14mm ²
Output Aperture	4.5 mm
Housing Color	black
Weight	18 g
PCB	yes
PCB size	14.8x10.8x4.7 mm
Stripping of wire	5 mm

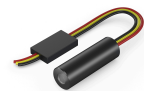
(*) Over the complete operating temperature range

Features






- High Power
- Compact size
- Laser Class 2
- Operating Voltage 5 V DC
- Fixed focus

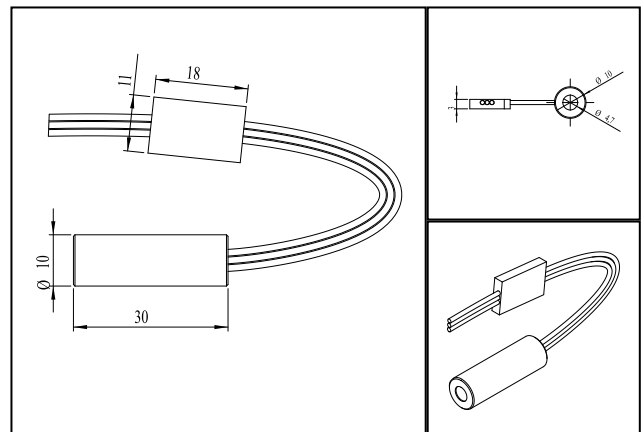
Picture



Cable color

Ground		black	GND
Positive		red	4.5 - 5.5, typ 5 V DC
Modulation		yellow	200 kHz

Drawing



Safety Label



Valid Revision

12 | 30-MAR-2022