

Line laser, green, 532 nm, 90°, 5 mW

MLD532-5-5(20x80)
Order Number: 70101164

Main Parameters (*)	min	typ	max	Unit
Wavelength		532		nm
Optical Output Power		5		mW
Operating Voltage	4.5	5	5.5	V DC
Operating Current	150	250	350	mA
Operating Temperature		15	30	°C
Storage Temperature		-40	80	°C

Main Data

Warranty 1 years

Technical Parameters

Lifetime > 5,000 h
RoHS yes

Optical Parameters

Beam Shape	Line
Laser Class	1
Divergence	D - 0.5 mrad
Fan Angle	90°
Line Thickness	<1.5mm@3m
Operating Distance	3 m
Optics	glass lens AR coated
Beam Mode	TEM00
Laser technology	Solid State (YVO4+KTP)
Stability	+/- 20% @ 15-30°C
Focus	fixed (3000mm)
Warm up time	< 15 min

Electrical Parameters

Potential of Housing	isolated
Max. Mod. Frequency	10 kHz

Mechanical Parameters

Size	Ø20x80 mm
Material	aluminium
Cable length	100 mm
Wire type	26AWG, 0,14mm ²
Output Aperture	5 mm
Housing Color	black
Weight	55 g
Stripping of wire	5 mm

(*) Over the complete operating temperature range

Features






- Uniform illumination
- Uniform line thickness
- Laser Class 1
- Modulated

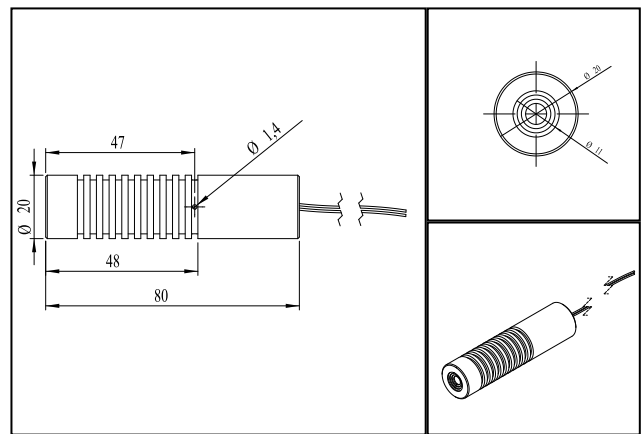
Picture



Cable color

Ground		black	GND
Positive		red	4.5 - 5.5, typ 5 V DC
Modulation		yellow	10 kHz

Drawing



Safety Label



Valid Revision

8 | 22-FEB-2019