

Line laser, green, 532 nm, 90°, 20 mW

MLD532-20-5(20x80)
Order Number: 70101362

Main Parameters (*)	min	typ	max	Unit
Wavelength		532		nm
Optical Output Power		20		mW
Operating Voltage	4.5	5	5.5	V DC
Operating Current		450		mA
Operating Temperature		15	30	°C
Storage Temperature	-40		80	°C

Main Data

Warranty 1 years

Technical Parameters

Lifetime > 5,000 h
RoHS yes

Optical Parameters

Beam Shape Line
Laser Class 2M
Divergence D - 0.5 mrad
Fan Angle 90°
Line Thickness <2mm@7m
Operating Distance 7 m
Optics glass lens AR coated
Beam Mode TEM00
Laser technology YVO4+KTP
Stability +/- 20% @ 15-30°C
Focus fixed (7.0m)
Warm up time < 15 min

Electrical Parameters

Potential of Housing isolated
Max. Mod. Frequency 10 kHz

Mechanical Parameters

Size Ø20x80 mm
Material aluminium
Cable length 100 mm
Wire type 26AWG, 0,14mm²
Output Aperture 5 mm
Housing Color black
Weight 55 g

(*) Over the complete operating temperature range

Features






- Laser Class 2M
- High Power
- Modulated

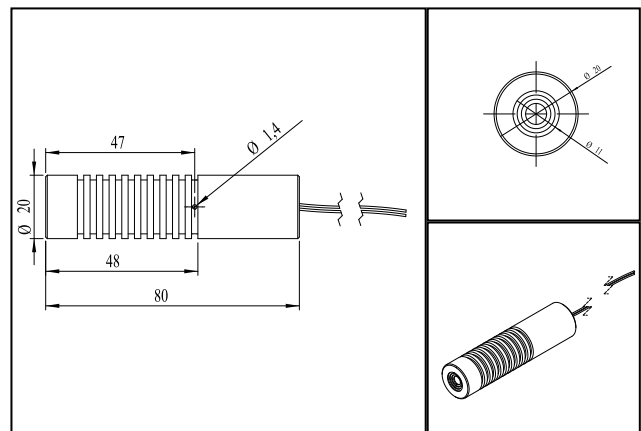
Picture



Cable color

Ground		black	GND
Positive		red	4,5 - 5,5, typ 5 V DC
Modulation		yellow	10 kHz

Drawing



Safety Label



Valid Revision

6 | 23-JUL-2020