

Line laser, red, 650 nm, 10 °, 3.5 mW

MLB650-3.5-5(16x60)10DEG
Order Number: 70102802

Main Parameters (*)	min	typ	max	Unit
Wavelength		650		nm
Optical Output Power		3.5		mW
Operating Voltage	4.5	5	5.5	V DC
Operating Current	15	30	45	mA
Operating Temperature	-20		50	°C
Storage Temperature	-40		80	°C

Main Data

Warranty 1 years

Technical Parameters

Lifetime > 5,000 h
RoHS yes

Optical Parameters

Beam Shape	Line
Laser Class	2M
Divergence	B - 0.3 mrad
Fan Angle	10 °
Line Thickness	<1.5mm@3m
Operating Distance	10 m
Optics	glass lens AR coated
Laser technology	Single Mode Diode
Protection Lens	yes
Focus	fixed (3000mm)

Electrical Parameters

Potential of Housing	isolated
Max. Mod. Frequency	50 kHz
Power Supply	LFNT-5

Mechanical Parameters

Size	Ø16x60 mm
Material	aluminium
Cable length	700 mm
Output Aperture	7 mm
Housing Color	black
Weight	31 g
Stripping of wire	5 mm

(*) Over the complete operating temperature range

Features






- Operating Voltage 5 V DC
- Laser Class 2M
- Fan angle 10 °
- Compact size
- Modulated

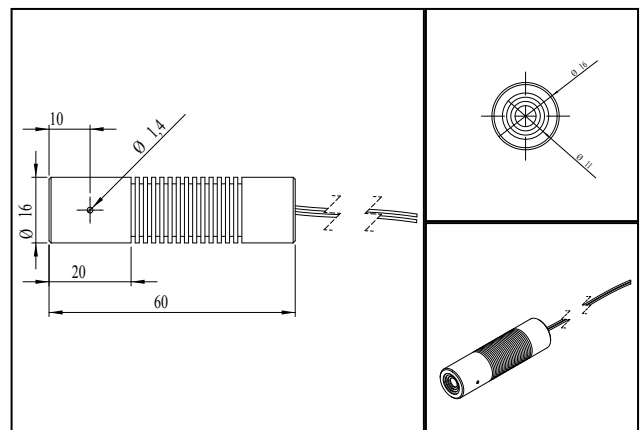
Picture



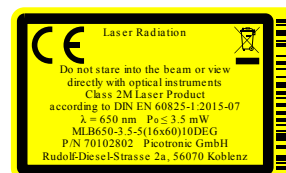
Cable color

Ground		blue	GND
positive		red	4.5 - 5.5, typ 5 V DC
modulation		yellow	50 kHz

Drawing



Safety Label



Valid Revision

8 | 07-JUN-2017