

## Line laser, red, 635 nm, 90°, 2.5 mW

MLB635-2.5-5(16x58)  
Order Number: 70100587

Main Parameters (*)	min	typ	max	Unit
Wavelength		635		nm
Optical Output Power		2.5		mW
Operating Voltage	4.5	5	5.5	V DC
Operating Current	25	50	75	mA
Operating Temperature	-20		50	°C
Storage Temperature	-40		80	°C

### Main Data

Warranty 1 years

### Technical Parameters

Lifetime > 5,000 h  
RoHS yes

### Optical Parameters

Beam Shape Line  
Laser Class 1  
Divergence B - 0.3 mrad  
Fan Angle 90°  
Line Thickness < 1.5 mm @ 3 m  
Operating Distance 3 m  
Optics glass lens AR coated  
Laser technology diode  
Focus fixed (3000 mm)

### Electrical Parameters

Potential of Housing isolated  
Max. Mod. Frequency 50 kHz  
Power Supply Power Supply with stripped/tinned wires, Output: 5V DC, Input: 100-240V AC, 50-60Hz, Output Power: 3W max.

### Mechanical Parameters

Size Ø16x58 mm  
Material aluminium  
Cable length 100 mm  
Wire type 26AWG, 0,14mm<sup>2</sup>  
Output Aperture 7 mm  
Weight 26 g

(\*) Over the complete operating temperature range

### Features






- Operating Voltage 5 V DC
- Laser Class 1
- Modulated
- Fixed focus
- Fan angle 90°

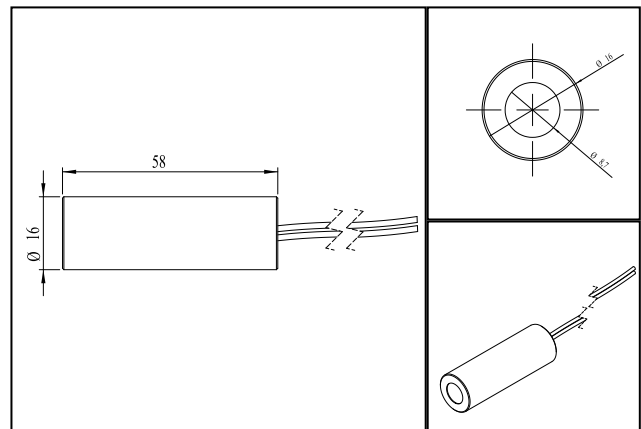
### Picture



### Cable color

Ground		black	GND
Positive		red	4.5 - 5.5, typ 5 V DC
Modulation		yellow	50 kHz

### Drawing



### Safety Label



### Valid Revision

5 | 09-JAN-2018