

Dot laser, red, 650 nm, 1 mW

MI650-1-5(8x21)-F700-AP
Order Number: 70110319

Main Parameters (*)	min	typ	max	Unit
Wavelength		650		nm
Optical Output Power		1		mW
Operating Voltage	4.5	5	5.5	V DC
Operating Current	10	20	30	mA
Operating Temperature	-20		50	°C
Storage Temperature	-40		80	°C

Main Data

Warranty 1 years

Technical Parameters

Lifetime > 5,000 h
RoHS yes

Optical Parameters

Beam Shape Dot
Laser Class 2
Divergence 1 - 1.5 mrad
Beam Diameter 2 mm
Size of Laserdot <1mm@0.7m
Operating Distance 0.7 m
Optics glass lens AR coated
Laser technology Single Mode Diode
Axial Divergence ±2°
Focus fixed (700mm)

Electrical Parameters

Potential of Housing isolated
Max. Mod. Frequency 200 kHz

Power Supply Power Supply with stripped/tinned wires, Output: 5V DC, Input: 100-240V AC, 50-60Hz, Output Power: 3W max.

Mechanical Parameters

Size Ø8x21 mm
Material aluminium
Cable length 100 mm
Output Aperture 2 mm
Housing Color black
Weight 3g
Stripping of wire 5 mm

(*) Over the complete operating temperature range

Features






- Axial parallel
- Operating Voltage 5V DC
- Laser Class 2
- Compact size
- Image processing

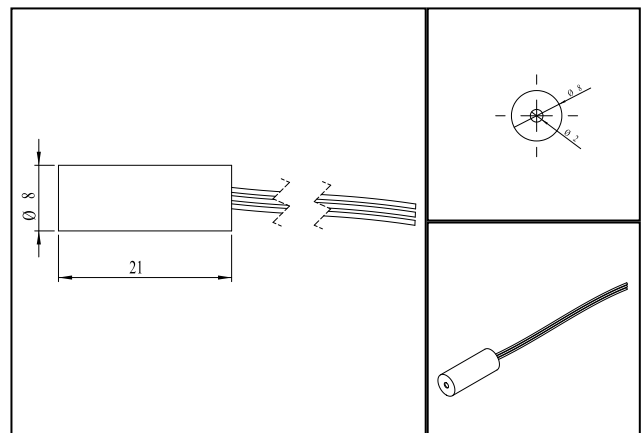
Picture



Cable color

Ground		blue	GND
Positive		red	4.5 - 5.5, typ 5 V DC
Modulation		yellow	200 kHz

Drawing



Safety Label



Valid Revision

13 | 04-MAY-2022