

Dot laser, red, 650 nm, 1 mW

MI650-1-5(8x21)-F70
Order Number: 70120905

Main Parameters (*)	min	typ	max	Unit
Wavelength		650		nm
Optical Output Power		1		mW
Operating Voltage	4.5	5	5.5	V DC
Operating Current	10	19	35	mA
Operating Temperature	-20		50	°C
Storage Temperature	-40		80	°C

Main Data

Warranty 1 years

Technical Parameters

Lifetime > 5,000 h
RoHS yes

Optical Parameters

Beam Shape	Dot
Laser Class	2
Divergence	1 - 1.5 mrad
Beam Diameter	2mm
Size of Laserdot	<0.25mm@0.07m
Operating Distance	0.07 m
Optics	glass lens AR coated
Laser technology	Single Mode Diode
Focus	fixed (70mm)

Electrical Parameters

Potential of Housing	isolated
Max. Mod. Frequency	100 kHz
Power Supply	Power Supply with stripped/tinned wires, Output: 5V DC, Input: 100-240V AC, 50-60Hz, Output Power: 3W max.

Mechanical Parameters

Size	Ø8x21 mm
Material	aluminium
Cable length	100 mm
Wire type	26AWG, 0,14mm ²
Output Aperture	2mm
Housing Color	black
Weight	1.5g
Stripping of wire	5 mm

(*) Over the complete operating temperature range




Features



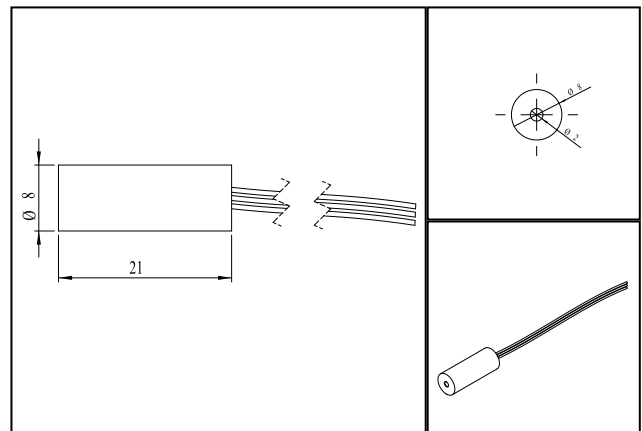
Picture



Cable color

Ground		black	GND
Positive		red	4.5 - 5.5, typ 5 V DC
Modulation		yellow	100 kHz

Drawing



Safety Label



Valid Revision

| 17-SEP-2019