

## Dot laser, red, 650 nm, 1 mW

MI650-1-5(8x21)-AP  
Order Number: 70108583

Main Parameters (*)	min	typ	max	Unit
Wavelength		650		nm
Optical Output Power		1		mW
Operating Voltage	4.5	5	5.5	V DC
Operating Current	15	25	35	mA
Operating Temperature	-20		50	°C
Storage Temperature	-40		80	°C

### Main Data

Warranty 1 years

### Technical Parameters

Lifetime > 5,000 h  
RoHS yes

### Optical Parameters

Beam Shape Dot  
Laser Class 2  
Divergence 1 - 1.5 mrad  
Size of Laserdot <2...3mm@5m  
Operating Distance 10 m  
Optics glass lens AR coated  
Laser technology Single Mode Diode  
Axial Divergence  $\pm 0.1^\circ$   
Focus collimated

### Electrical Parameters

Max. Mod. Frequency 200 kHz

### Mechanical Parameters

Size  $\varnothing 8 \times 21$  mm  
Material aluminium  
Cable length 100 mm  
Wire type 26AWG, 0,14mm<sup>2</sup>  
Output Aperture 2 mm  
Housing Color silver  
Weight 1.5 g  
Stripping of wire 5 mm

(\*) Over the complete operating temperature range

### Features






- Axial parallel
- Operating Voltage 5V DC
- Laser Class 2
- Compact size
- Image processing

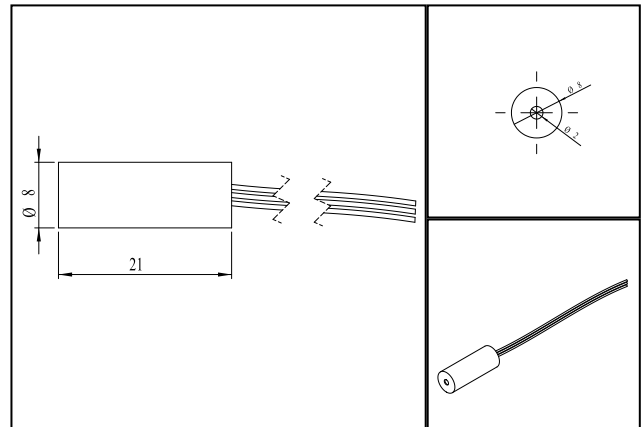
### Picture



### Cable color

Ground		black	GND
Positive		red	4.5 - 5.5, typ 5 V DC
Modulation		yellow	200 kHz

### Drawing



### Safety Label



### Valid Revision

8 | 31-AUG-2022