

Dot laser, red, 635 nm, 4 mW

MH635-4-5(14x45)
Order Number: 70101751

Main Parameters (*)	min	typ	max	Unit
Wavelength		635		nm
Optical Output Power		4		mW
Operating Voltage	4.5	5	5.5	V DC
Operating Current	35	45	60	mA
Operating Temperature	-20		50	°C
Storage Temperature	-40		80	°C

Main Data

Warranty 1 years

Technical Parameters

Lifetime > 5,000 h
RoHS yes

Optical Parameters

Beam Shape Dot
Laser Class 3R
Divergence H - 1.0 mrad
Size of Laserdot adjustable
Operating Distance 50 m
Optics glass lens AR coated
Laser technology diode
Focus adjustable

Electrical Parameters

Potential of Housing isolated
Max. Mod. Frequency 200 kHz
Power Supply Power Supply with stripped/tinned wires, Output: 5V DC, Input: 100-240V AC, 50-60Hz, Output Power: 3W max.

Mechanical Parameters

Size Ø14x45 mm
Material aluminium
Cable length 100 mm
Wire type 26AWG, 0,14mm²
Output Aperture 5 mm
Housing Color black
Weight 18 g

(*) Over the complete operating temperature range

Features






- Modulated
- Glas lenses anti reflex coated
- Adjustable focus
- Operating Voltage 5V DC
- Small laser head

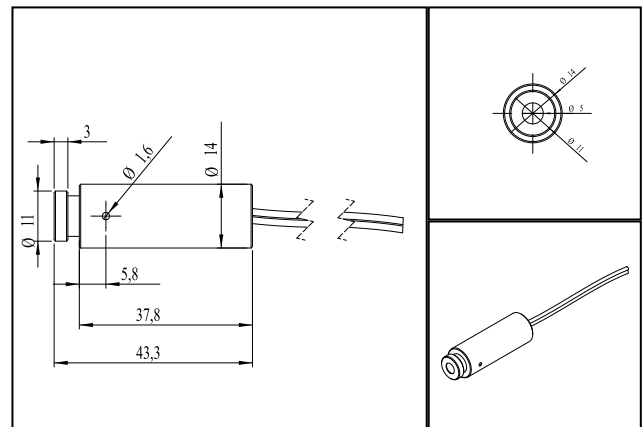
Picture



Cable color

Ground		black	GND
Positive		red	4.5 - 5.5, typ 5 V DC
Modulation		yellow	200 kHz

Drawing



Safety Label



Valid Revision

7 | 09-JAN-2018