

Dot laser, red, 650 nm, 3 mW

ME650-3-5(16x50)
Order Number: 70101539

Main Parameters (*)	min	typ	max	Unit
Wavelength		650		nm
Optical Output Power		3		mW
Operating Voltage	4.5	5	5.5	V DC
Operating Current	15	25	40	mA
Operating Temperature	-20		50	°C
Storage Temperature	-40		80	°C

Main Data

Warranty 1 years

Technical Parameters

Lifetime > 5,000 h
RoHS yes

Optical Parameters

Beam Shape Dot
Laser Class 3R
Divergence E - 0.6 mrad
Size of Laserdot adjustable
Operating Distance 30 m
Optics glass lens AR coated
Laser technology diode
Focus adjustable

Electrical Parameters

Max. Mod. Frequency 500 kHz
Power Supply Power Supply with stripped/tinned wires, Output: 5V DC, Input: 100-240V AC, 50-60Hz, Output Power: 3W max.

Mechanical Parameters

Size Ø16x50 mm
Material Brass
Cable length 100 mm
Wire type 26AWG, 0,14mm²
Output Aperture 5 mm
Weight 50 g

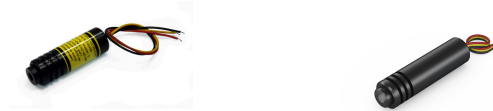
(*) Over the complete operating temperature range

Features






- Operating Voltage 5V DC
- Laser Class 3R
- Compact size
- Adjustable focus
- Glas lenses anti reflex coated

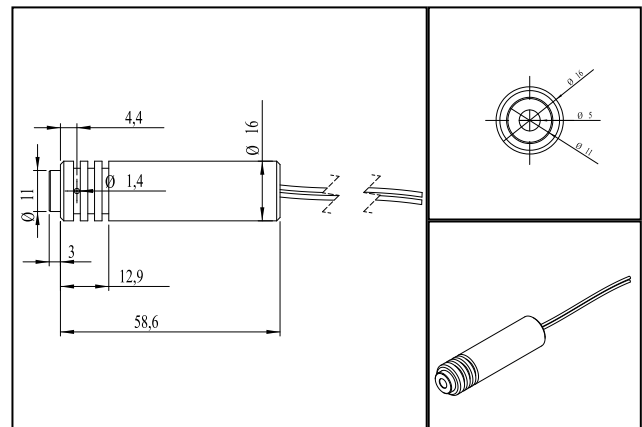
Picture



Cable color

Ground		black	GND
Positive		red	4.5 - 5.5, typ 5 V DC
Modulation		yellow	500 kHz

Drawing



Safety Label



Valid Revision

0 | 17-DEC-2018