

## Dot laser, red, 635 nm, 3 mW

ME635-3-5(16x50)  
Order Number: 70101522

| Main Parameters (*)   | min | typ | max | Unit |
|-----------------------|-----|-----|-----|------|
| Wavelength            |     | 635 |     | nm   |
| Optical Output Power  |     | 3   |     | mW   |
| Operating Voltage     | 4.5 | 5   | 5.5 | V DC |
| Operating Current     | 25  | 45  | 70  | mA   |
| Operating Temperature | -20 |     | 50  | °C   |
| Storage Temperature   | -40 |     | 80  | °C   |

### Main Data

Warranty 1 years

### Technical Parameters

Lifetime > 5,000 h  
RoHS yes

### Optical Parameters

Beam Shape Dot  
Laser Class 3R  
Divergence E - 0.6 mrad  
Size of Laserdot adjustable  
Operating Distance 30 m  
Optics glass lens AR coated  
Laser technology diode  
Focus adjustable

### Electrical Parameters

Potential of Housing VDD(+)  
Max. Mod. Frequency 200 kHz  
Power Supply Power Supply with stripped/tinned wires, Output: 5V DC, Input: 100-240V AC, 50-60Hz, Output Power: 3W max.

### Mechanical Parameters

Size Ø16x50 mm  
Material Brass  
Cable length 100 mm  
Wire type 26AWG, 0,14mm<sup>2</sup>  
Output Aperture 5 mm  
Weight 50 g

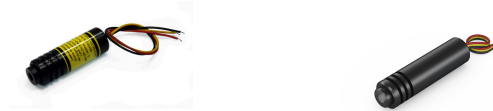
(\*) Over the complete operating temperature range

### Features






- Laser Class 3R
- Operating Voltage 5V DC
- Modulated
- Compact size
- Adjustable focus

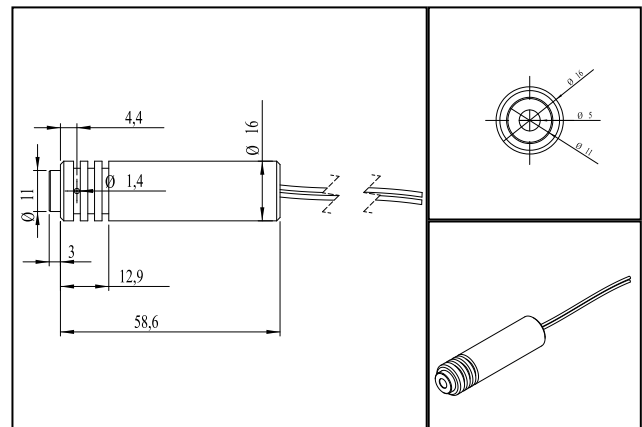
### Picture



### Cable color

|            |  |        |                       |
|------------|--|--------|-----------------------|
| Ground     |  | black  | GND                   |
| Positive   |  | red    | 4.5 - 5.5, typ 5 V DC |
| Modulation |  | yellow | 200 kHz               |

### Drawing



### Safety Label



### Valid Revision

0 | 17-DEC-2018