

## Dot laser, infrared, 850 nm, 3 mW

MDI850-3-5(8x21)  
Order Number: 70122756

Main Parameters (*)	min	typ	max	Unit
Wavelength		850		nm
Optical Output Power		3		mW
Operating Voltage	4.5	5	5.5	V DC
Operating Current	10	15	25	mA
Operating Temperature	-20		50	°C
Storage Temperature	-40		80	°C

### Main Data

Warranty 1 years

### Technical Parameters

Lifetime > 5,000 h  
RoHS yes

### Optical Parameters

Beam Shape Dot  
Laser Class 3R  
Divergence 1 - 1.5 mrad  
Size of Laserdot 3mm@5m  
Operating Distance 30 m  
Optics glass lens AR coated  
Laser technology Single Mode Diode  
Focus collimated

### Electrical Parameters

Potential of Housing VDD(+)  
Max. Mod. Frequency 10 kHz

### Mechanical Parameters

Size Ø8x21 mm  
Material aluminium  
Cable length 100 mm  
Wire type 26AWG, 0,14mm<sup>2</sup>  
Output Aperture 2.5 mm  
Housing Color black  
Weight 3.5 g  
Stripping of wire 5 mm

(\*) Over the complete operating temperature range

### Features






- Laser Class 3R
- Operating Voltage 5V DC
- Glas lenses anti reflex coated
- Compact size

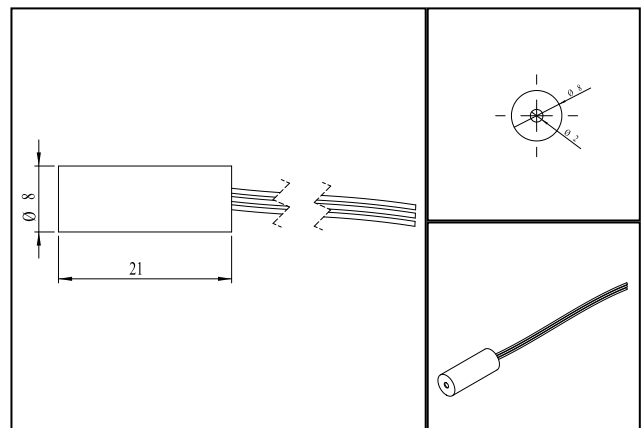
### Picture



### Cable color

Ground		black	GND
Positive		red	4.5 - 5.5, typ 5 V DC
Modulation		yellow	10 kHz

### Drawing



### Safety Label



### Valid Revision

| 21-FEB-2019