

Dot laser, infrared, 808 nm, 600 mW

MDH808-600-5(45x100)
Order Number: 70119695

Main Parameters (*)	min	typ	max	Unit
Wavelength		808		nm
Optical Output Power		600		mW
Operating Voltage	4.5	5	5.5	V DC
Operating Current	450	900	1350	mA
Operating Temperature	-20		50	°C
Storage Temperature	-40		80	°C

Main Data

Warranty 1 years

Technical Parameters

Lifetime > 5,000 h
RoHS yes

Optical Parameters

Beam Shape Dot
Laser Class 4
Divergence H - 1.0 mrad
Size of Laserdot adjustable
Operating Distance 10 m
Optics glass lens AR coated
Laser technology diode
Focus adjustable

Electrical Parameters

Potential of Housing VDD(+)
Max. Mod. Frequency 1 kHz

Mechanical Parameters

Size Ø45x100 mm
Material aluminium
Cable length 500 mm
Output Aperture 6 mm
Housing Color black
Weight 250 g

(*) Over the complete operating temperature range

Features






- Laser Class 4
- Adjustable focus
- High Power
- Operating Voltage 5V DC
- Small laser head

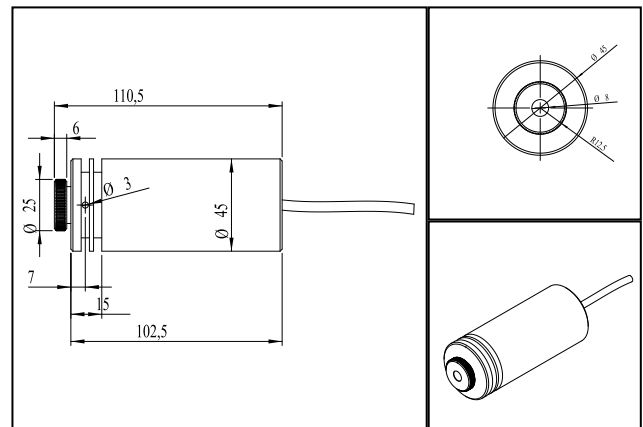
Picture



Cable color

Ground		blue	GND
Positive		red	4.5 - 5.5, typ 5 V DC
Modulation		yellow	1 kHz

Drawing



Safety Label



Valid Revision

| 24-APR-2013