

Dot laser, red, 650 nm, 0.9 mW

MDD650-0.9-5(14x30)
Order Number: 70115758

Main Parameters (*)	min	typ	max	Unit
Wavelength		650		nm
Optical Output Power		0.9		mW
Operating Voltage	4.5	5	5.5	V DC
Operating Current	10	22	40	mA
Operating Temperature	-10		40	°C
Storage Temperature	-40		80	°C

Main Data

Warranty 1 years

Technical Parameters

Lifetime > 50,000 h
RoHS yes

Optical Parameters

Beam Shape	Dot
Laser Class	2
Divergence	D - 0.5 mrad
Beam Diameter	3 mm
Operating Distance	10 m
Optics	glass lens AR coated
Laser technology	Single Mode Diode
Opt. Power Stability at const. Temp.	< 1 %
Axial Divergence	± 2 °
Focus	collimated

Electrical Parameters

Potential of Housing	isolated
Max. Mod. Frequency	1 kHz
Power Supply	LFNT-5

Mechanical Parameters

Size	Ø14x30 mm
Material	aluminium
Cable length	100 mm
Wire type	26AWG, 0,14mm ²
Output Aperture	3 mm
Housing Color	black
Weight	11.3 g
Stripping of wire	5 mm

(*) Over the complete operating temperature range

Features






- Operating Voltage 5 V DC
- Laser Class 2
- Image processing
- Glas lenses anti reflex coated
- Uniform illumination

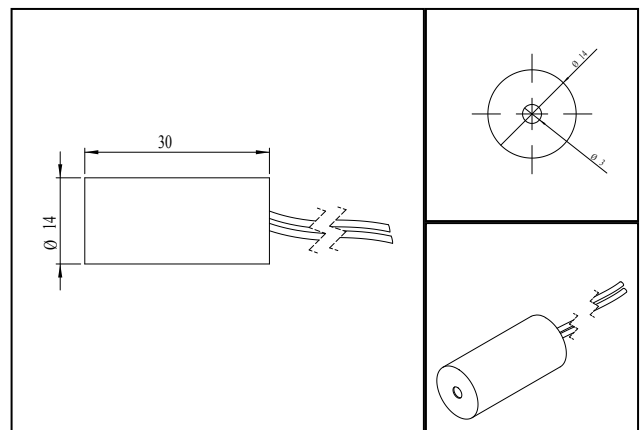
Picture



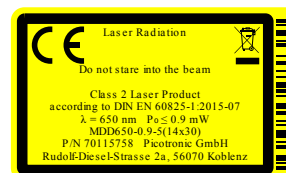
Cable color

Ground		black	GND
positive		red	4.5 - 5.5, typ 5 V DC
modulation		yellow	1 kHz

Drawing



Safety Label



Valid Revision

1 | 22-APR-2021