

Dot laser, red, 650 nm, 0.9 mW

MDD650-0.9-5(14x30)-AP-IM
Order Number: 70117745

Main Parameters (*)	min	typ	max	Unit
Wavelength		650		nm
Optical Output Power	0.7	0.9	1	mW
Operating Voltage	4.5	5	5.5	V DC
Operating Current		30		mA
Operating Temperature	-10		50	°C
Storage Temperature	-40		60	°C

Main Data

Warranty 1 years

Technical Parameters

Lifetime > 5,000 h
RoHS yes

Optical Parameters

Beam Shape	Dot
Laser Class	2
Divergence	D - 0.5 mrad
Beam Diameter	3 mm
Operating Distance	10 m
Optics	glass lens AR coated
Laser technology	diode
Opt. Power Stability at const. Temp.	< 3%
Axial Divergence	± 2°
Focus	collimated

Electrical Parameters

Rise Time	< 10 ms
Potential of Housing	isolated
Max. Mod. Frequency	0.1 kHz

Power Supply Power Supply with stripped/tinned wires, Output: 5V DC, Input: 100-240V AC, 50-60Hz, Output Power: 3W max.

Mechanical Parameters

Size	Ø14x30 mm
Material	aluminium
Cable length	200 mm
Wire type	26AWG, 0,14mm ²
Output Aperture	3 mm
Housing Color	black
Weight	11.3 g

(*) Over the complete operating temperature range

Features



- Operating Voltage 5V DC
- Laser Class 2
- Image processing
- Glas lenses anti reflex coated
- Uniform illumination

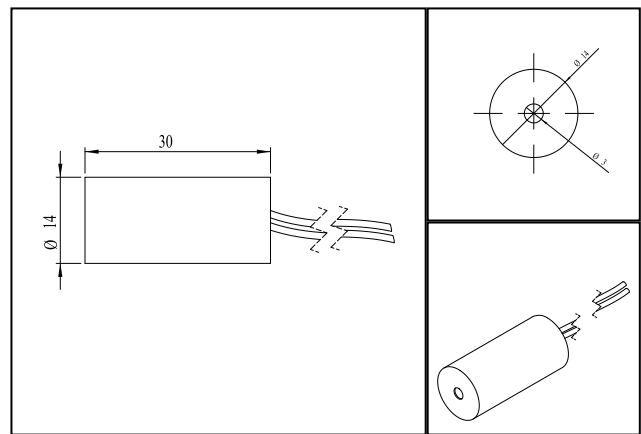
Picture



Cable color

Ground		blue	GND
Positive		red	4.5 - 5.5, typ 5 V DC

Drawing



Safety Label



Valid Revision

1 | 23-JAN-2020