

Doe laser, green, 532 nm, 10 mW

MDD532-10-3(16x62)-DOE-C
Order Number: 70145625

| Main Parameters (*) | min | typ | max | Unit |
|-----------------------|-----|-----|-----|------|
| Wavelength | | 532 | | nm |
| Optical Output Power | | 10 | | mW |
| Operating Voltage | 2.7 | 3 | 3.3 | V DC |
| Operating Current | 150 | 350 | 450 | mA |
| Operating Temperature | 15 | | 30 | °C |
| Storage Temperature | -40 | | 80 | °C |

Main Data

Warranty 1 years

Technical Parameters

Lifetime > 5,000 h
RoHS yes

Optical Parameters

Beam Shape DOE
Laser Class 3B
Divergence D - 0.5 mrad
Operating Distance 50 m
Optics glass lens AR coated
Beam Mode TEM00
Laser technology YVO4+KTP
Stability +/- 10% @ 15-30°C
Focus adjustable
Warm up time < 15 min

Electrical Parameters

Potential of Housing isolated
Max. Mod. Frequency 1 kHz
Connector 2.5 mm DC socket (GND pole inner)

Power Supply

Power Supply, Output: 3.3V DC,
Input: 100-240V AC, 50-60Hz,
Output Power: 3.3W max,
Connector 2,5x5,5x9,5mm
center negative

Mechanical Parameters

Size Ø16x62 mm
Material aluminium
Cable length 200 mm
Wire type 18AWG, black, 3,6mm

| | |
|-----------------|------|
| Output Aperture | 5 mm |
| Weight | 37 g |

(*) Over the complete operating temperature range

Features

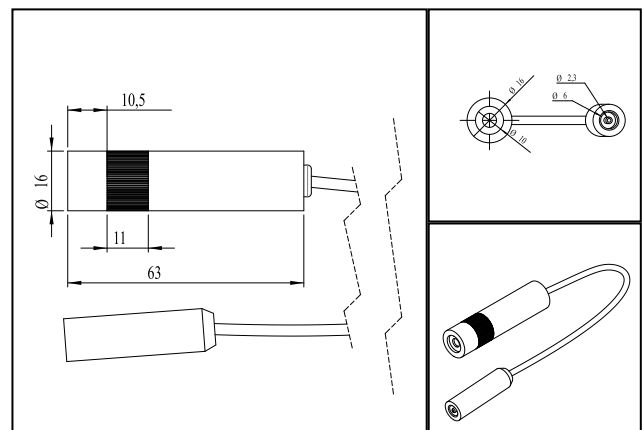


- Adjustable focus
- DOE optic can be changed
- Compact size
- Glas lenses anti reflex coated
- Operating Voltage 3V DC

Picture



Drawing



Safety Label



Valid Revision

| 25-FEB-2020