

## Dot laser, red, 658 nm, 40 mW

MDC658-40-5(14x45)  
Order Number: 70123982

| Main Parameters (*)   | min | typ | max | Unit |
|-----------------------|-----|-----|-----|------|
| Wavelength            |     | 658 |     | nm   |
| Optical Output Power  | 30  | 40  | 50  | mW   |
| Operating Voltage     |     | 5   |     | V DC |
| Operating Current     | 100 | 130 | 150 | mA   |
| Operating Temperature | -20 |     | 50  | °C   |
| Storage Temperature   | -40 |     | 80  | °C   |

### Main Data

Warranty 1 years

### Technical Parameters

Lifetime > 5,000 h  
RoHS yes

### Optical Parameters

Beam Shape Dot  
Laser Class 3B  
Divergence C - 0.4 mrad  
Size of Laserdot 3mm@10mm  
Operating Distance 10 m  
Optics glass lens AR coated  
Laser technology Single Mode Diode  
Focus collimated

### Electrical Parameters

Potential of Housing isolated  
Max. Mod. Frequency 100 kHz  
Power Supply Power Supply with stripped/tinned wires, Output: 5V DC, Input: 100-240V AC, 50-60Hz, Output Power: 3W max.

### Mechanical Parameters

Size Ø14x45 mm  
Material aluminium  
Cable length 250 mm  
Wire type Belden, Typ 1007, 26AWG  
Output Aperture 3 mm  
Housing Color black  
Weight 22.3 g  
Stripping of wire 5 mm

(\*) Over the complete operating temperature range

### Features






- Operating Voltage 5V DC
- Compact size
- High Power
- Laser Class 3B

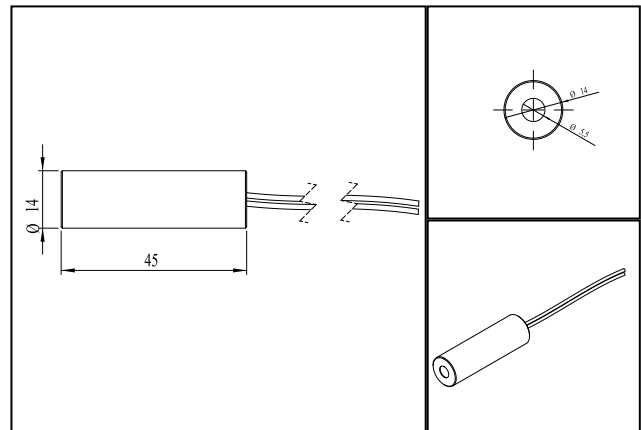
### Picture



### Cable color

|            |  |        |         |
|------------|--|--------|---------|
| Ground     |  | black  | GND     |
| Positive   |  | red    | 5 V DC  |
| Modulation |  | yellow | 100 kHz |

### Drawing



### Safety Label



### Valid Revision

| 11-DEC-2024