

Dot laser, red, 635 nm, 1 mW

MDA635-1-5-F(12x60)
Order Number: 70113839

Main Parameters (*)	min	typ	max	Unit
Wavelength		635		nm
Optical Output Power		1		mW
Operating Voltage	4.5	5	5.5	V DC
Operating Current	20	40	60	mA
Operating Temperature	-20		50	°C
Storage Temperature	-40		80	°C

Main Data

Warranty 1 years

Technical Parameters

Lifetime > 5,000 h
RoHS yes

Optical Parameters

Beam Shape Dot
Laser Class 2
Divergence A - 0.1 mrad
Size of Laserdot adjustable
Operating Distance 20 m
Optics glass lens AR coated
Laser technology Single Mode Diode
Focus adjustable

Electrical Parameters

Potential of Housing isolated
Max. Mod. Frequency 200 kHz
Power Supply Power Supply with stripped/tinned wires, Output: 5V DC, Input: 100-240V AC, 50-60Hz, Output Power: 3W max.

Mechanical Parameters

Size Ø12x60 mm
Material aluminium
Cable length 100 mm
Wire type Belden, Typ 1007, 26AWG
Output Aperture 5 mm
Housing Color black
Weight 15.5 g
Stripping of wire 5 mm

(*) Over the complete operating temperature range

Features






- Operating Voltage 5V DC
- Adjustable focus
- Laser Class 2
- Compact size
- Modulated

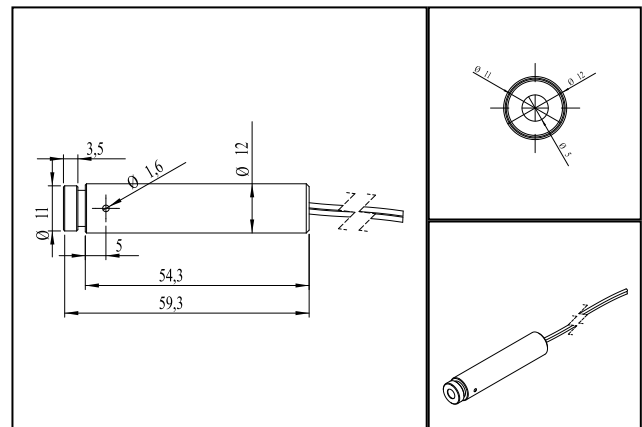
Picture



Cable color

Ground		black	GND
Positive		red	4.5 - 5.5, typ 5 V DC
Modulation		yellow	200 kHz

Drawing



Safety Label



Valid Revision

2 | 22-SEP-2022