

## Dot laser, green, 532 nm, 15 mW

MD532-15-5(20x80)  
Order Number: 70114980

Main Parameters (*)	min	typ	max	Unit
Wavelength		532		nm
Optical Output Power		15		mW
Operating Voltage	4.5	5	5.5	V DC
Operating Current	125	250	375	mA
Operating Temperature	15		30	°C
Storage Temperature	-40		80	°C

### Main Data

Warranty	1 years
----------	---------

### Technical Parameters

Lifetime	> 5,000 h
RoHS	yes

### Optical Parameters

Beam Shape	Dot
Laser Class	3B
Divergence	D - 0.5 mrad
Beam Diameter	3 mm
Size of Laserdot	<3.5mm@10m
Operating Distance	300 m
Optics	glass lens AR coated
Beam Mode	TEM00
Laser technology	YVO4+KTP
Stability	+/- 20% @ 15-30°C
Focus	collimated
Warm up time	< 15 min

### Electrical Parameters

Potential of Housing	isolated
Max. Mod. Frequency	10 kHz

Power Supply  
Power Supply with stripped/tinned wires, Output: 5V DC, Input: 100-240V AC, 50-60Hz, Output Power: 3W max.

### Mechanical Parameters

Size	Ø20x80 mm
Material	aluminium
Cable length	100 mm
Wire type	26AWG, 0,14mm <sup>2</sup>
Output Aperture	5 mm
Weight	55.5 g

(\*) Over the complete operating temperature range

### Features






- Operating Voltage 5V DC
- Laser Class 3B
- Compact size
- Modulated
- Glas lenses anti reflex coated

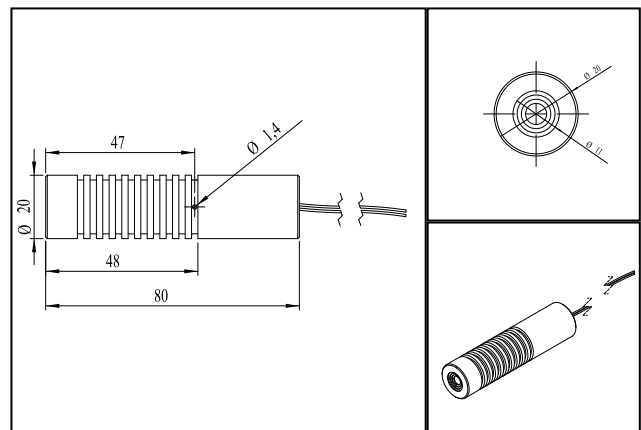
### Picture



### Cable color

Ground		blue	GND
Positive		red	4.5 - 5.5, typ 5 V DC
Modulation		yellow	10 kHz

### Drawing



### Safety Label



### Valid Revision

1 | 09-JUN-2016