

Cross laser, red, 635 nm, 90°, 2 mW

MCB635-2-3.3(16x45)
Order Number: 70116762

Main Parameters (*)	min	typ	max	Unit
Wavelength		635		nm
Optical Output Power		2		mW
Operating Voltage		3.3		V DC
Operating Current	20	40	55	mA
Operating Temperature	-20		50	°C
Storage Temperature	-40		80	°C

Main Data

Warranty	1 years
----------	---------

Technical Parameters

Lifetime	> 10,000 h
RoHS	yes

Optical Parameters

Beam Shape	Cross
Laser Class	1
Divergence	B - 0.3 mrad
Fan Angle	90°
Line Thickness	<0.5mm@0.685m
Operating Distance	0.685 m
Optics	glass lens AR coated
Laser technology	diode
Protection Lens	yes
Focus	fixed (685mm)
Verticality	< ±0.5°

Electrical Parameters

Potential of Housing	isolated
Max. Mod. Frequency	50 kHz

Mechanical Parameters

Size	Ø16x45 mm
Material	aluminium
Cable length	400 mm
Wire type	26AWG, 0,14mm ²
Output Aperture	7 mm
Housing Color	black
Weight	23 g

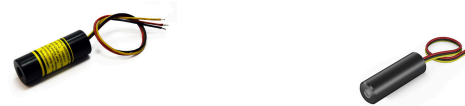
(*) Over the complete operating temperature range

Features





- Operating Voltage 3.3 V DC
- Laser Class 1
- Low power consumption
- Compact size
- Fixed focus

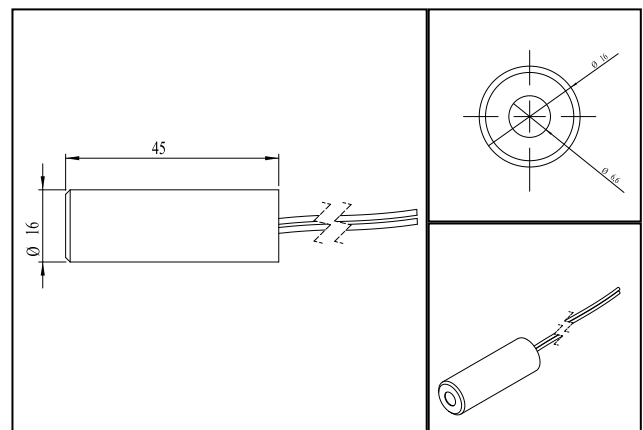
Picture



Cable color

Ground		black	GND
Positive		red	3.3 V DC

Drawing



Safety Label



Valid Revision

15 | 23-JUL-2020