

## Dot laser, red, 650 nm, 3 mW

MB650-3-5(16x50)  
Order Number: 70100655

Main Parameters (*)	min	typ	max	Unit
Wavelength		650		nm
Optical Output Power		3		mW
Operating Voltage	4.5	5	5.5	V DC
Operating Current	15	25	45	mA
Operating Temperature	-20		50	°C
Storage Temperature	-40		80	°C

### Main Data

Warranty 1 years

### Technical Parameters

Lifetime > 5,000 h  
RoHS yes

### Optical Parameters

Beam Shape Dot  
Laser Class 3R  
Divergence B - 0.3 mrad  
Size of Laserdot adjustable  
Operating Distance 40 m  
Optics glass lens AR coated  
Laser technology diode  
Focus adjustable

### Electrical Parameters

Potential of Housing isolated  
Max. Mod. Frequency 500 kHz  
Power Supply Power Supply with stripped/tinned wires, Output: 5V DC, Input: 100-240V AC, 50-60Hz, Output Power: 3W max.

### Mechanical Parameters

Size Ø16x50 mm  
Material aluminium  
Cable length 100 mm  
Wire type 26AWG, 0,14mm<sup>2</sup>  
Output Aperture 6.8 mm  
Housing Color black  
Weight 23.5 g

(\*) Over the complete operating temperature range

### Features






- Operating Voltage 5V DC
- Laser Class 3R
- Glas lenses anti reflex coated
- Adjustable focus
- Modulated

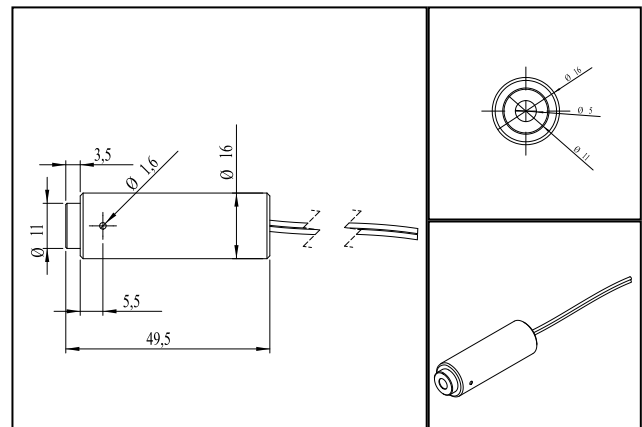
### Picture



### Cable color

Ground		black	GND
Positive		red	4.5 - 5.5, typ 5 V DC
Modulation		yellow	500 kHz

### Drawing



### Safety Label



### Valid Revision

0 | 18-JUL-2018