

Line laser, red, 650 nm, 90°, 5 mW

LJ650-5-4.5(14x64)-F250
Order Number: 70121117

Main Parameters (*)	min	typ	max	Unit
Wavelength		650		nm
Optical Output Power		5		mW
Operating Voltage	4.05	4.5	4.95	V DC
Operating Current	10	20	30	mA
Operating Temperature	-20		50	°C
Storage Temperature	-40		80	°C

Main Data

Warranty 1 years

Technical Parameters

Lifetime > 5,000 h
RoHS yes

Optical Parameters

Beam Shape	Line
Laser Class	1
Divergence	J - 2.0 mrad
Fan Angle	90°
Line Thickness	<0.3mm@0.25m
Operating Distance	0.25 m
Optics	acryl lense
Laser technology	Single Mode Diode
Focus	fixed (250mm)

Electrical Parameters

Potential of Housing	VDD(+)
Battery	LR44/AG13 alkaline battery, 1.5V
Battery count	3

Mechanical Parameters

Size	Ø14x64 mm
Material	aluminium
Output Aperture	9mm
Housing Color	black
Weight	23.1 g

(*) Over the complete operating temperature range

Features

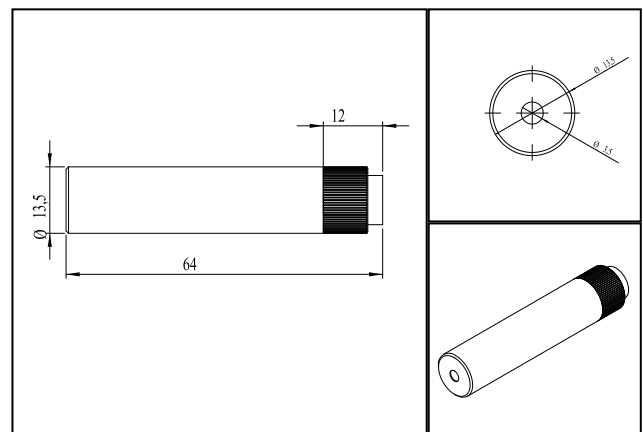


- Operating Voltage 4.5V DC
- With battery
- Laser Class 1
- Uniform line thickness
- Fan angle 90°

Picture



Drawing



Safety Label



Valid Revision

| 19-NOV-2021