

Line laser, red, 650 nm, 90°, 5 mW

LI650-5-3(8x26)-F250
Order Number: 70116700

Main Parameters (*)	min	typ	max	Unit
Wavelength		650		nm
Optical Output Power		5		mW
Operating Voltage	2.7	3	3.3	V DC
Operating Current	20	35	45	mA
Operating Temperature	-20		50	°C
Storage Temperature	-40		80	°C

Main Data

Warranty 1 years

Technical Parameters

Lifetime > 10,000 h
RoHS yes

Optical Parameters

Beam Shape	Line
Laser Class	1
Divergence	1 - 1.5 mrad
Fan Angle	90°
Line Thickness	<0.3mm@0.25m
Operating Distance	0.25 m
Optics	glass lens AR coated
Laser technology	Single Mode Diode
Focus	fixed (250mm)

Electrical Parameters

Potential of Housing	isolated
Power Supply	Power Supply with stripped/tinned wires, Output: 3.3V DC, Input: 100-240V AC, 50-60Hz, Output Power: 3.3W max.

Mechanical Parameters

Size	Ø8x26 mm
Material	aluminium
Cable length	100 mm
Wire type	26AWG, 0,14mm ²
Output Aperture	3 mm
Housing Color	black
Weight	4 g
Stripping of wire	5 mm

(*) Over the complete operating temperature range

Features



- Laser Class 1
- Low power consumption
- For medical devices
- Uniform line thickness
- Image processing

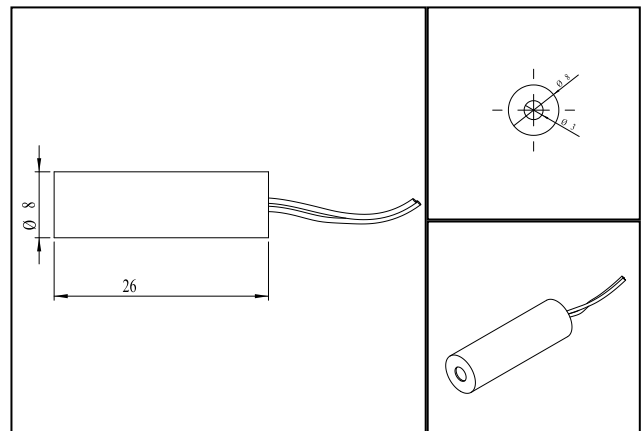
Picture



Cable color

Ground		blue	GND
Positive		red	2.7 - 3.3, typ 3 V DC

Drawing



Safety Label



Valid Revision

23 | 25-MAR-2021