

Line laser, red, 650 nm, 20°, 4 mW

LI650-4-5(8x26)20DEG-F100
Order Number: 70110722

Main Parameters (*)	min	typ	max	Unit
Wavelength		650		nm
Optical Output Power		4		mW
Operating Voltage	4.5	5	5.5	V DC
Operating Current	15	25	45	mA
Operating Temperature	-20		50	°C
Storage Temperature	-40		80	°C

Main Data

Warranty 1 years

Technical Parameters

Lifetime > 10,000 h
RoHS yes

Optical Parameters

Beam Shape Line
Laser Class 2
Divergence 1 - 1.5 mrad
Fan Angle 20°
Line Thickness Less than 0.3mm at 0.1m
Operating Distance 0.1 m
Optics glass lens AR coated
Laser technology Single Mode Diode
Focus fixed (100mm)

Electrical Parameters

Potential of Housing isolated
Power Supply Power Supply with stripped/tinned wires, Output: 5V DC, Input: 100-240V AC, 50-60Hz, Output Power: 3W max.

Mechanical Parameters

Size Ø8x26 mm
Material aluminium
Cable length 100 mm
Wire type 26AWG, 0,14mm²
Output Aperture 3 mm
Housing Color black
Weight 4 g
Stripping of wire 5 mm

(*) Over the complete operating temperature range

Features




- Fixed focus
- Low power consumption
- Uniform line thickness
- Image processing

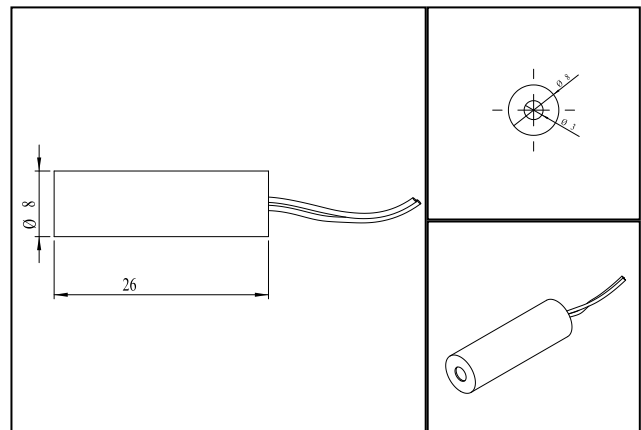
Picture



Cable color

Ground  green GND
Positive  red 4.5 - 5.5, typ 5 V DC

Drawing



Safety Label



Valid Revision

17 | 04-APR-2025