

Line laser, red, 650 nm, 30 °, 4 mW

LI650-4-3(8x26)30DEG-F84-C140
Order Number: 70142648

| Main Parameters (*) | min | typ | max | Unit |
|-----------------------|-----|-----|-----|------|
| Wavelength | | 650 | | nm |
| Optical Output Power | | 4 | | mW |
| Operating Voltage | 2.7 | 3 | 3.3 | V DC |
| Operating Current | 15 | 32 | 50 | mA |
| Operating Temperature | -20 | | 50 | °C |
| Storage Temperature | -40 | | 80 | °C |

Main Data

Warranty 1 years

Technical Parameters

Lifetime >10000 h
RoHS yes

Optical Parameters

| | |
|--------------------|----------------------|
| Beam Shape | Line |
| Laser Class | 1 |
| Divergence | 1 - 1.5 mrad |
| Fan Angle | 30 ° |
| Line Thickness | <0.3mm@0.084m |
| Operating Distance | 0.084 m |
| Optics | glass lens AR coated |
| Laser technology | Single Mode Diode |
| Focus | fixed (84mm) |

Electrical Parameters

Potential of Housing isolated
Power Supply LFNT-3

Mechanical Parameters

| | |
|-------------------|----------------------------|
| Size | Ø8x26 mm |
| Material | aluminium |
| Cable length | 140 mm |
| Wire type | 26AWG, 0,14mm ² |
| Output Aperture | 3 mm |
| Housing Color | black |
| Weight | 3.5 g |
| Stripping of wire | 5 mm |

(*) Over the complete operating temperature range

Features



- Fixed focus
- Low power consumption
- For medical devices
- Uniform line thickness
- Image processing

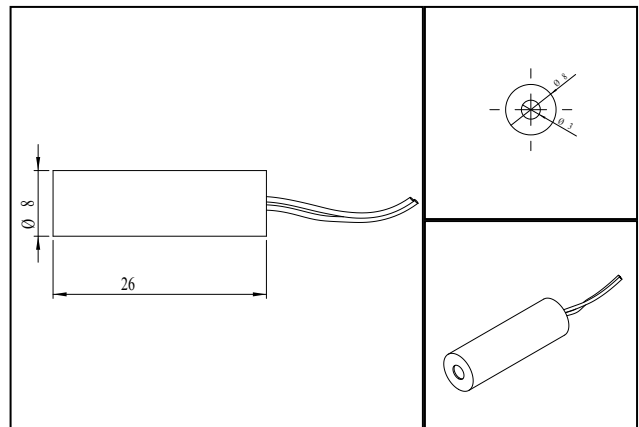
Picture



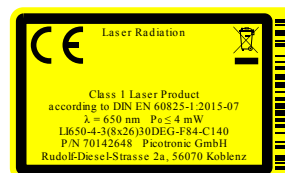
Cable color

| | | | |
|----------|--|-------|-----------------------|
| Ground |  | green | GND |
| positive |  | red | 2.7 - 3.3, typ 3 V DC |

Drawing



Safety Label



Valid Revision

| 03-JUL-2020