

## Line laser, red, 650 nm, 30°, 4 mW

LI650-4-3(8x26)30DEG-F100  
Order Number: 70110524

Main Parameters (*)	min	typ	max	Unit
Wavelength		650		nm
Optical Output Power		4		mW
Operating Voltage	2.7	3	3.3	V DC
Operating Current	15	32	50	mA
Operating Temperature	-20		50	°C
Storage Temperature	-40		80	°C

### Main Data

Warranty 1 years

### Technical Parameters

Lifetime > 10,000 h  
RoHS yes

### Optical Parameters

Beam Shape Line  
Laser Class 1  
Divergence 1 - 1.5 mrad  
Fan Angle 30°  
Line Thickness <0.3mm@0.1m  
Operating Distance 0.1 m  
Optics glass lens AR coated  
Laser technology Single Mode Diode  
Focus fixed (100mm)

### Electrical Parameters

Potential of Housing isolated  
Power Supply Power Supply with stripped/tinned wires, Output: 3.3V DC, Input: 100-240V AC, 50-60Hz, Output Power: 3.3W max.

### Mechanical Parameters

Size Ø8x26 mm  
Material aluminium  
Cable length 100 mm  
Wire type 26AWG, 0,14mm<sup>2</sup>  
Output Aperture 3 mm  
Housing Color black  
Weight 3.5 g  
Stripping of wire 5 mm

(\*) Over the complete operating temperature range

## Features



- Fixed focus
- Low power consumption
- For medical devices
- Uniform line thickness
- Image processing

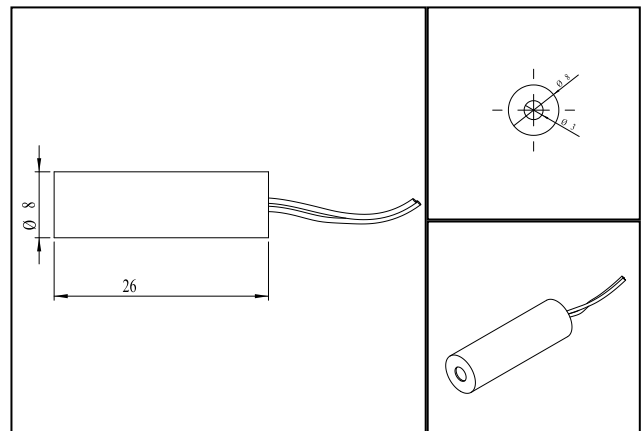
## Picture



## Cable color

Ground		green	GND
Positive		red	2.7 - 3.3, typ 3 V DC

## Drawing



## Safety Label



## Valid Revision

13 | 22-APR-2021