

Line laser, red, 635 nm, 90°, 5 mW

LI635-5-3(8x26)90DEG-F650
Order Number: 70112849

| Main Parameters (*) | min | typ | max | Unit |
|-----------------------|------|-----|-----|------|
| Wavelength | | 635 | | nm |
| Optical Output Power | | 5 | | mW |
| Operating Voltage | 2.85 | 3 | 3.1 | V DC |
| Operating Current | 25 | 60 | 80 | mA |
| Operating Temperature | -20 | | 50 | °C |
| Storage Temperature | -40 | | 80 | °C |

Main Data

Warranty 1 years

Technical Parameters

Lifetime > 10,000 h
RoHS yes

Optical Parameters

| | |
|--------------------|----------------------|
| Beam Shape | Line |
| Laser Class | 1 |
| Divergence | 1 - 1.5 mrad |
| Fan Angle | 90° |
| Line Thickness | <1mm@0.65m |
| Operating Distance | 0.65 m |
| Optics | glass lens AR coated |
| Laser technology | Single Mode Diode |
| Focus | fixed (650mm) |

Electrical Parameters

Power Supply with stripped/tinned wires, Output: 3.3V DC, Input: 100-240V AC, 50-60Hz, Output Power: 3.3W max.

Mechanical Parameters

| | |
|-------------------|----------------------------|
| Size | Ø8x26 mm |
| Material | aluminium |
| Cable length | 100 mm |
| Wire type | 26AWG, 0,14mm ² |
| Output Aperture | 3 mm |
| Housing Color | black |
| Weight | 3.5g |
| Stripping of wire | 5 mm |

(*) Over the complete operating temperature range

Features





- Compact size
- Low power consumption
- Uniform line thickness
- Fixed focus
- Laser Class 1

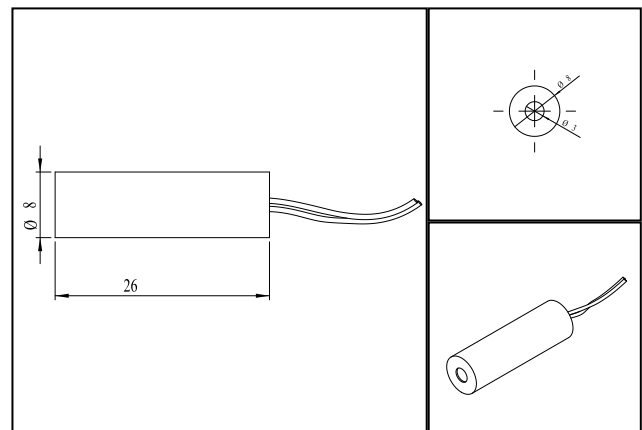
Picture



Cable color

| | | | |
|----------|--|------|------------------------|
| Ground |  | blue | GND |
| Positive |  | red | 2.85 - 3.1, typ 3 V DC |

Drawing



Safety Label



Valid Revision

5 | 27-NOV-2017