

## Line laser, red, 635 nm, 45°, 5 mW

LI635-5-3(8x26)45-F2500  
Order Number: 70127102

Main Parameters (*)	min	typ	max	Unit
Wavelength		635		nm
Optical Output Power		5		mW
Operating Voltage	2.7	3	3.3	V DC
Operating Current	20	40	55	mA
Operating Temperature	-20		50	°C
Storage Temperature	-40		80	°C

### Main Data

Warranty 1 years

### Technical Parameters

Lifetime > 5,000 h  
RoHS yes

### Optical Parameters

Beam Shape Line  
Laser Class 1  
Divergence 1 - 1.5 mrad  
Fan Angle 45°  
Line Thickness < 1.5mm@2.5m  
Operating Distance 2.5m  
Optics glass lens AR coated  
Laser technology Single Mode Diode  
Focus fixed (2500mm)

### Electrical Parameters

Potential of Housing isolated  
Power Supply Power Supply with stripped/tinned wires, Output: 3.3V DC, Input: 100-240V AC, 50-60Hz, Output Power: 3.3W max.

### Mechanical Parameters

Size Ø8x26 mm  
Material aluminium  
Cable length 100 mm  
Wire type 26AWG, 0,14mm<sup>2</sup>  
Output Aperture 3 mm  
Housing Color black  
Weight 3.5 g  
Stripping of wire 5 mm

(\*) Over the complete operating temperature range

### Features



- Operating Voltage 3V DC
- Laser Class 1
- Fan angle 45°
- Compact size

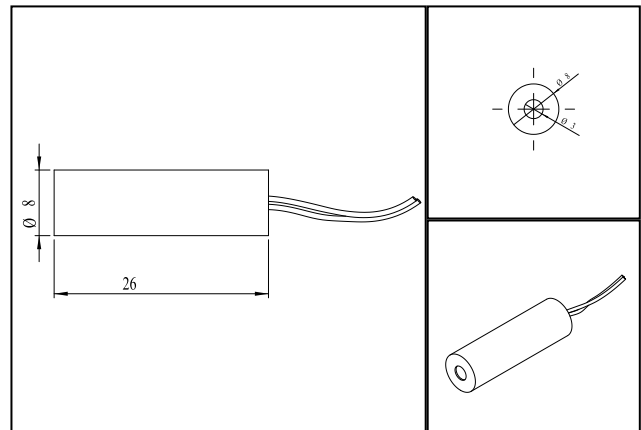
### Picture



### Cable color

Ground  green GND  
Positive  red 2.7 - 3.3, typ 3 V DC

### Drawing



### Safety Label



### Valid Revision

| 26-APR-2023