

Line laser, red, 635 nm, 42°, 5 mW

LI635-5-3(8x26)42-F1500
Order Number: 70107593

Main Parameters (*)	min	typ	max	Unit
Wavelength		635		nm
Optical Output Power		5		mW
Operating Voltage	2.85	3	3.3	V DC
Operating Current	30	55	85	mA
Operating Temperature	-20		50	°C
Storage Temperature	-40		80	°C

Main Data

Warranty 1 years

Technical Parameters

Lifetime > 10,000 h
RoHS yes

Optical Parameters

Beam Shape Line
Laser Class 1
Divergence 1 - 1.5 mrad
Fan Angle 42°
Line Thickness <1.5mm@1.5m
Operating Distance 1.5 m
Optics glass lens AR coated
Laser technology diode
Focus fixed (1500mm)

Electrical Parameters

Potential of Housing isolated
Power Supply Power Supply with stripped/tinned wires, Output: 3.3V DC, Input: 100-240V AC, 50-60Hz, Output Power: 3.3W max.

Mechanical Parameters

Size Ø8x26 mm
Material aluminium
Cable length 100 mm
Output Aperture 3 mm
Weight 4 g

(*) Over the complete operating temperature range

Features





- Fan angle 42°
- Laser Class 1
- Operating Voltage 3V DC
- Uniform line thickness
- Image processing

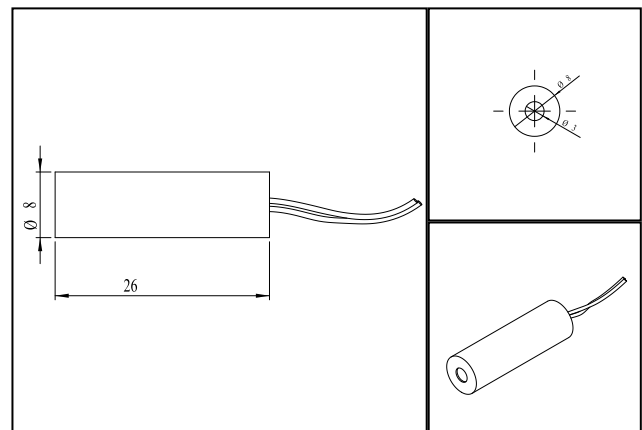
Picture



Cable color

Ground		blue	GND
Positive		red	2.85 - 3.3, typ 3 V DC

Drawing



Safety Label



Valid Revision

17 | 30-DEC-2024