

Line laser, red, 635 nm, 30°, 5 mW

LI635-5-3(8x26)30DEG-F285
Order Number: 70109450

Main Parameters (*)	min	typ	max	Unit
Wavelength		635		nm
Optical Output Power		5		mW
Operating Voltage	2.7	3	3.3	V DC
Operating Current	30	45	70	mA
Operating Temperature	-20		50	°C
Storage Temperature	-40		80	°C

Main Data

Warranty 1 years

Technical Parameters

Lifetime > 5,000 h
RoHS yes

Optical Parameters

Beam Shape	Line
Laser Class	1
Divergence	1 - 1.5 mrad
Fan Angle	30°
Line Thickness	<0.3mm@0.285m
Operating Distance	0.285 m
Optics	glass lens AR coated
Laser technology	Single Mode Diode
Focus	fixed (285mm)

Electrical Parameters

Potential of Housing	isolated
Power Supply	Power Supply with stripped/tinned wires, Output: 3.3V DC, Input: 100-240V AC, 50-60Hz, Output Power: 3.3W max.

Mechanical Parameters

Size	Ø8x26 mm
Material	aluminium
Cable length	100 mm
Wire type	26AWG, 0,14mm ²
Output Aperture	3 mm
Housing Color	black
Weight	3.5 g
Stripping of wire	5 mm

(*) Over the complete operating temperature range

Features



- Operating Voltage 3V DC
- Fan angle 30°
- Laser Class 1
- Uniform line thickness
- Fixed focus

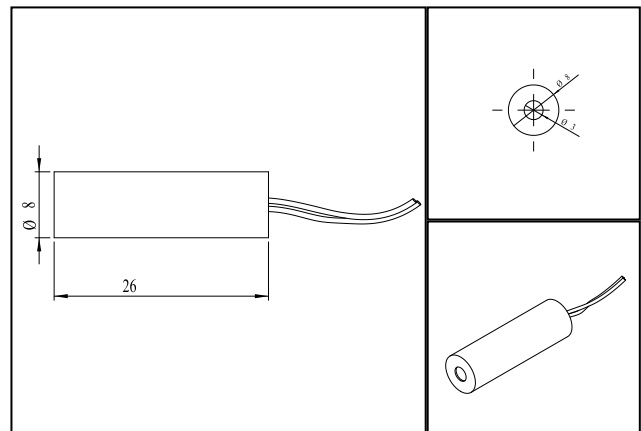
Picture



Cable color

Ground		blue	GND
Positive		red	2.7 - 3.3, typ 3 V DC

Drawing



Safety Label



Valid Revision

4 | 26-APR-2023