

Line laser, red, 635 nm, 45°, 2.5 mW

LI635-2.5-3(8x26)45-F100
Order Number: 70118605

Main Parameters (*)	min	typ	max	Unit
Wavelength		635		nm
Optical Output Power		2.5		mW
Operating Voltage	2.7	3	3.3	V DC
Operating Current	25	40	55	mA
Operating Temperature	-20		50	°C
Storage Temperature	-40		80	°C

Main Data

Warranty 1 years

Technical Parameters

Lifetime >5,000 h
RoHS yes

Optical Parameters

Beam Shape Line
Laser Class 1
Divergence 1 - 1.5 mrad
Fan Angle 45°
Line Thickness <0.3mm@100mm
Operating Distance 0.1 m
Optics glass lens AR coated
Laser technology Single Mode Diode
Focus fixed (100mm)

Electrical Parameters

Potential of Housing isolated

Mechanical Parameters

Size Ø8x26 mm
Material aluminium
Cable length 100 mm
Output Aperture 5.5 mm
Housing Color black
Weight 3.5 g
Stripping of wire 5 mm

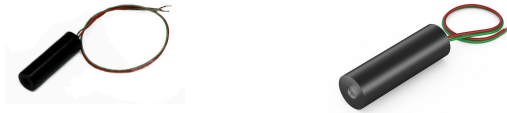
(*) Over the complete operating temperature range

Features



- Small size
- Low power consumption
- Fixed focus

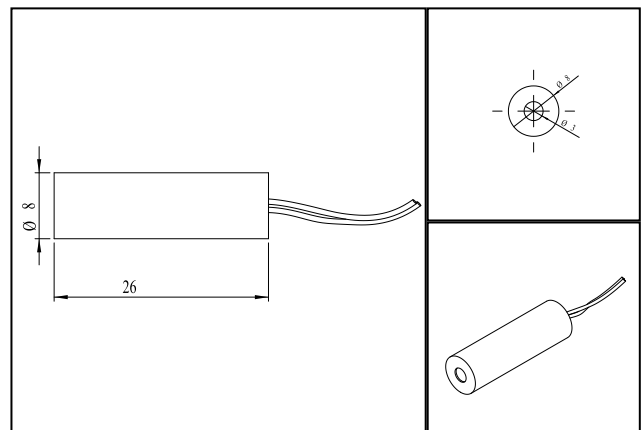
Picture



Cable color

Ground  green GND
Positive  red 2.7 - 3.3, typ 3 V DC

Drawing



Safety Label



Valid Revision

1 | 20-OCT-2016