

Line laser, red, 635 nm, 90°, 0.9 mW

LI635-0.9-3(8x26)
Order Number: 70103830

Main Parameters (*)	min	typ	max	Unit
Wavelength		635		nm
Optical Output Power		0.9		mW
Operating Voltage	2.7	3	3.3	V DC
Operating Current	20	40	60	mA
Operating Temperature	-20		50	°C
Storage Temperature	-40		80	°C

Main Data

Warranty 1 years

Technical Parameters

Lifetime > 5,000 h
RoHS yes

Optical Parameters

Beam Shape Line
Laser Class 1
Divergence 1 - 1.5 mrad
Fan Angle 90°
Line Thickness <1mm@1m
Operating Distance 1 m
Optics glass lens AR coated
Laser technology Single Mode Diode
Focus fixed (1000mm)

Electrical Parameters

Potential of Housing isolated
Power Supply Power Supply with stripped/tinned wires, Output: 3.3V DC, Input: 100-240V AC, 50-60Hz, Output Power: 3.3W max.

Mechanical Parameters

Size Ø8x26 mm
Material aluminium
Cable length 100 mm
Wire type 26AWG, 0,14mm²
Output Aperture 3 mm
Housing Color black
Weight 3.2g
Stripping of wire 5 mm

(*) Over the complete operating temperature range

Features



- Laser Class 1
- For medical devices
- Operating Voltage 3V DC
- Fan angle 90°
- Fixed focus

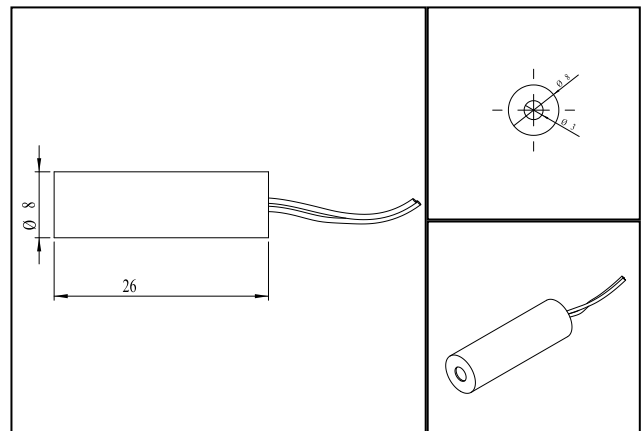
Picture



Cable color

Ground		blue	GND
Positive		red	2.7 - 3.3, typ 3 V DC

Drawing



Safety Label



Valid Revision

2 | 29-JAN-2016