

## Line laser, green, 520 nm, 45°, 5 mW

LI520-5-5(8x26)45DEG-F250  
Order Number: 70130829

Main Parameters (*)	min	typ	max	Unit
Wavelength		520		nm
Optical Output Power		5		mW
Operating Voltage	4.5	5	5.5	V DC
Operating Current	15	34	45	mA
Operating Temperature	-20		50	°C
Storage Temperature	-40		80	°C

### Main Data

Warranty 1 years

### Technical Parameters

Lifetime >6,000 h  
RoHS yes

### Optical Parameters

Beam Shape	Line
Laser Class	1
Divergence	1 - 1.5 mrad
Fan Angle	45°
Line Thickness	<0.5mm@0.25m
Operating Distance	0.25 m
Optics	glass lens AR coated
Laser technology	Single Mode Diode
Focus	fixed (250mm)
internal modulation frequency	1 kHz

### Electrical Parameters

Potential of Housing	isolated
Power Supply	Power Supply with stripped/tinned wires, Output: 5V DC, Input: 100-240V AC, 50-60Hz, Output Power: 3W max.

### Mechanical Parameters

Size	Ø8x26 mm
Material	aluminium
Cable length	100 mm
Wire type	26AWG, 0,14mm <sup>2</sup>
Output Aperture	3 mm
Housing Color	black
Weight	4 g
PCB size	20x7x3 mm
Stripping of wire	5 mm

(\*) Over the complete operating temperature range

### Features



- Laser Class 1
- Low power consumption
- For medical devices
- Uniform line thickness
- Image processing

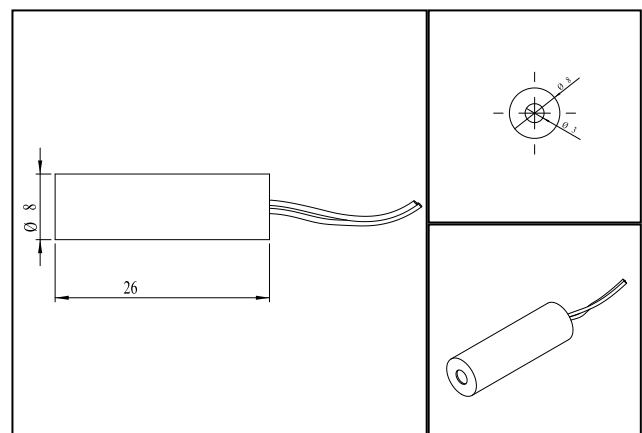
### Picture



### Cable color

Ground		green	GND
Positive		red	4.5 - 5.5, typ 5 V DC

### Drawing



### Safety Label



### Valid Revision

| 12-OCT-2022