

Line laser, infrared, 850 nm, 90°, 30 mW

LH850-30-3(16x45)-PL
Order Number: 70102017

Main Parameters (*)	min	typ	max	Unit
Wavelength		850		nm
Optical Output Power		30		mW
Operating Voltage	2.7	3	3.3	V DC
Operating Current	30	55	80	mA
Operating Temperature	-20		50	°C
Storage Temperature	-40		80	°C

Main Data

Warranty 1 years

Technical Parameters

Lifetime > 5,000 h
RoHS yes

Optical Parameters

Beam Shape Line
Laser Class 1M
Divergence H - 1.0 mrad
Fan Angle 90°
Line Thickness <2mm@3m
Operating Distance 5 m
Optics glass lens AR coated
Laser technology Single Mode Diode
Protection Lens no
Focus fixed (3000mm)

Mechanical Parameters

Size Ø16x45 mm
Material aluminium
Cable length 70 mm
Wire type 26AWG, 0,14mm²
Output Aperture 6.8 mm
Housing Color black
Weight 23.5 g
Stripping of wire 5 mm

(*) Over the complete operating temperature range

Features



- Operating Voltage 3V DC
- Image processing
- Uniform line thickness
- Compact size
- Laser Class 1M

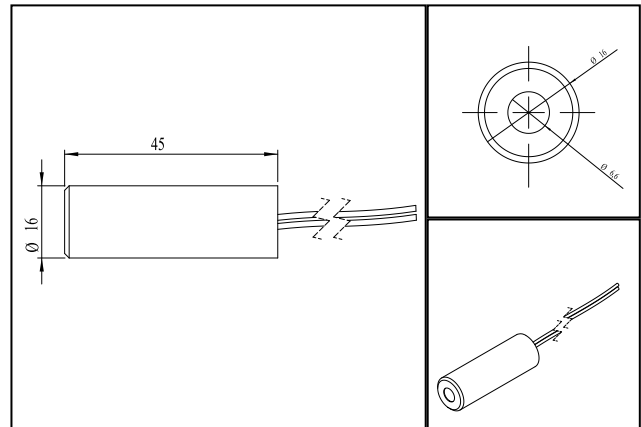
Picture



Cable color

Ground		black	GND
Positive		red	2.7 - 3.3, typ 3 V DC

Drawing



Safety Label



Valid Revision

4 | 04-APR-2024