

Line laser, infrared, 808 nm, 90°, 350 mW

LH808-350-3(20x60)
Order Number: 70102154

Main Parameters (*)	min	typ	max	Unit
Wavelength		808		nm
Optical Output Power		350		mW
Operating Voltage	2.7	3	3.3	V DC
Operating Current	225	450	675	mA
Operating Temperature	-20		50	°C
Storage Temperature	-40		80	°C

Main Data

Warranty 1 years

Technical Parameters

Lifetime	> 5,000 h
RoHS	yes

Optical Parameters

Beam Shape	Line
Laser Class	3R
Divergence	H - 1.0 mrad
Fan Angle	90°
Line Thickness	<2mm@3m
Operating Distance	10 m
Optics	glass lens AR coated
Laser technology	diode
Focus	fixed (3000mm)

Electrical Parameters

Potential of Housing	isolated
Power Supply	Power Supply with stripped/tinned wires, Output: 3.3V DC, Input: 100-240V AC, 50-60Hz, Output Power: 3.3W max.

Mechanical Parameters

Size	Ø20x60 mm
Material	aluminium
Cable length	100 mm
Wire type	26AWG, 0,14mm ²
Output Aperture	5.5 mm
Weight	43 g

(*) Over the complete operating temperature range

Features



- Image processing
- Compact size
- Uniform line thickness
- High power
- Operating Voltage 3V DC

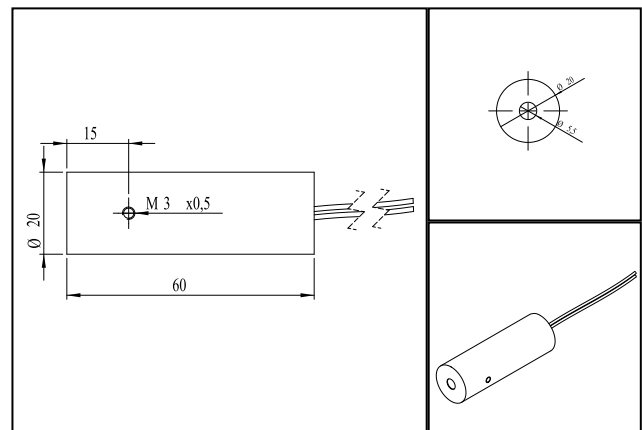
Picture



Cable color

Ground		black	GND
Positive		red	2.7 - 3.3, typ 3 V DC

Drawing



Safety Label



Valid Revision

10 | 17-DEC-2018