

Line laser, red, 650 nm, 110°, 16 mW

LH650-16-5(14x45)110DEG-NT
Order Number: 70131161

Main Parameters (*)	min	typ	max	Unit
Wavelength		650		nm
Optical Output Power		16		mW
Operating Voltage	4.5	5	5.5	V DC
Operating Current	40	57	80	mA
Operating Temperature	-20		50	°C
Storage Temperature	-40		80	°C

Main Data

Warranty 1 years

Technical Parameters

Lifetime > 5,000 h

RoHS yes

Optical Parameters

Beam Shape Line

Laser Class 2

Divergence H - 1.0 mrad

Fan Angle 110°

Line Thickness < 1.5mm@1.8m

Operating Distance 1.8m

Optics glass lens AR coated

Laser technology Single Mode Diode

Focus fixed (1800mm)

Electrical Parameters

Potential of Housing isolated

Connector 2.1 mm DC plug (GND pole inner)

Power Supply Power Supply, Output: 5V DC, Input: 100-240V AC, 50-60Hz, Output Power: 3W max, Connector 2,1x5,5x9,5mm center negative

Mechanical Parameters

Size Ø14x45 mm

Material aluminium

Cable length 750 mm

Wire type 24AWG, black, 3mm

Output Aperture 5.5 mm

Housing Color black

Weight 50 g

(*) Over the complete operating temperature range

Features



- High Power
- Compact size
- Laser Class 2
- Operating Voltage 5V DC
- Fixed focus

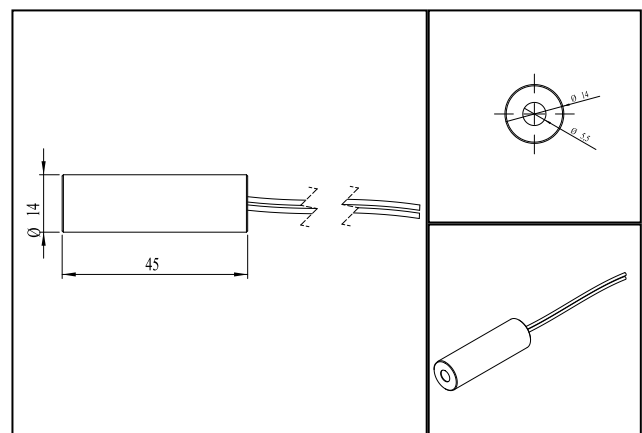
Picture



Cable color

Ground		black	GND
Positive		white	4.5 - 5.5, typ 5 V DC

Drawing



Safety Label



Valid Revision

| 04-DEC-2017