

Line laser, red, 650 nm, 90°, 16 mW

LH650-16-24(20x80)-C500-CON
Order Number: 70125573

Main Parameters (*)	min	typ	max	Unit
Wavelength		650		nm
Optical Output Power		16		mW
Operating Voltage	20	24	26	V DC
Operating Current	5	12	25	mA
Operating Temperature	-20		50	°C
Storage Temperature	-40		80	°C

Main Data

Warranty 1 years

Technical Parameters

Lifetime > 10,000 h
RoHS yes

Optical Parameters

Beam Shape Line
Laser Class 2
Divergence H - 1.0 mrad
Fan Angle 90°
Line Thickness <2mm@1.5m
Operating Distance 1.5m
Optics glass lens AR coated
Laser technology Single Mode Diode
Protection Lens yes
Focus fixed (1500mm)

Electrical Parameters

Potential of Housing isolated
Connector CON-M12

Mechanical Parameters

Size Ø20x80 mm
Material aluminium
Cable length 500 mm
Wire type 22AWG, black, 3,6mm
Output Aperture 5.5 mm
Housing Color black
Weight 63g

(*) Over the complete operating temperature range

Features



- Operating Voltage 24V DC
- Isolated housing
- Laser Class 1
- Small laser head
- Protection lens

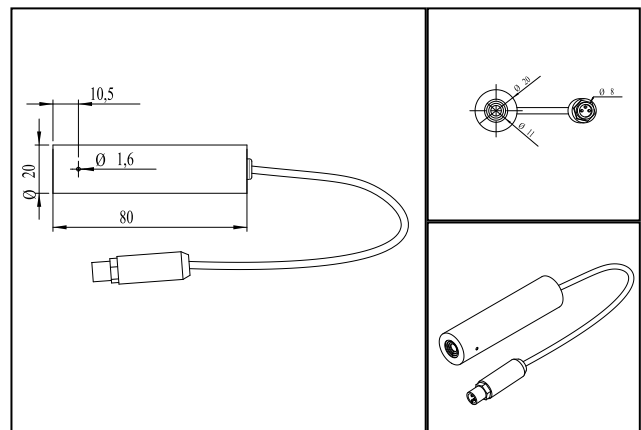
Picture



Cable color

Ground		black	GND
Positive		white	20 - 26, typ 24 V DC

Drawing



Safety Label



Valid Revision

| 27-OCT-2016