

Line laser, red, 650 nm, 110°, 1 mW

LH650-1-5(9x21)110-F1000
Order Number: 70142273

Main Parameters (*)	min	typ	max	Unit
Wavelength	645	650	655	nm
Optical Output Power	0.5	1	1	mW
Operating Voltage	3		5	V DC
Operating Current	5	20	60	mA
Operating Temperature	-10		40	°C
Storage Temperature	-40		80	°C

Main Data

Warranty 1 years

Technical Parameters

Lifetime > 10,000 h
RoHS yes

Optical Parameters

Beam Shape	Line
Laser Class	1
Divergence	H - 1.0 mrad
Fan Angle	110°
Line Thickness	<1mm@1m
Operating Distance	1 m
Optics	acryl lense
Laser technology	Single Mode Diode
Focus	fixed (1000mm)

Electrical Parameters

Potential of Housing	VDD(+)
Power Supply	Power Supply with stripped/tinned wires, Output: 3.3V DC, Input: 100-240V AC, 50-60Hz, Output Power: 3.3W max.

Mechanical Parameters

Size	Ø9x21 mm
Material	Brass
Cable length	150 mm
Wire type	Belden, Typ 1007, 26AWG
Output Aperture	6 mm
Weight	7.3 g
Stripping of wire	5 mm

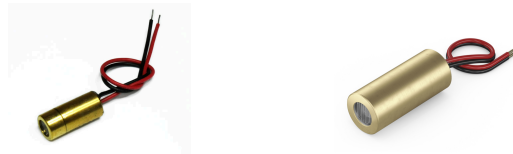
(*) Over the complete operating temperature range

Features



- Operating Voltage 3-5V DC
- Laser Class 1
- Low cost
- Fan angle 110°
- Compact size

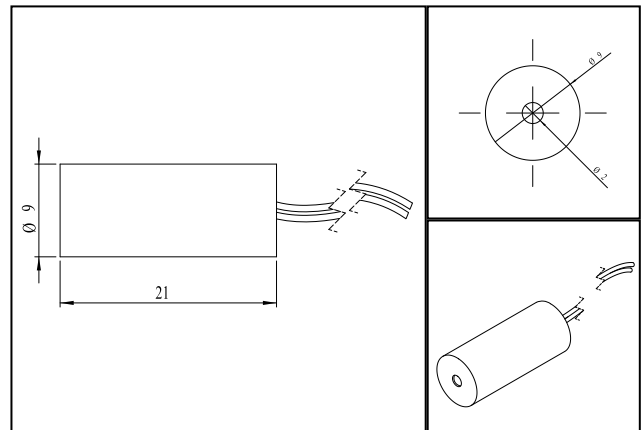
Picture



Cable color

Ground		black	GND
Positive		red	3 - 5 V DC

Drawing



Safety Label



Valid Revision

| 30-MAR-2022