

## Line laser, red, 635 nm, 100°, 7 mW

LH635-7-3(12x32)-F1000  
Order Number: 70126051

Main Parameters (*)	min	typ	max	Unit
Wavelength	630	635	640	nm
Optical Output Power		7		mW
Operating Voltage	3	3	6	V DC
Operating Current	25	50	75	mA
Operating Temperature	-20		50	°C
Storage Temperature	-40		80	°C

### Main Data

Warranty 1 years

### Technical Parameters

Lifetime > 10,000 h  
RoHS yes

### Optical Parameters

Beam Shape	Line
Laser Class	1
Divergence	H - 1.0 mrad
Fan Angle	100°
Line Thickness	<1mm@1m
Operating Distance	1 m
Optics	glass lens AR coated
Laser technology	Single Mode Diode
Focus	fixed (1000mm)

### Electrical Parameters

Potential of Housing	isolated
Power Supply	Power Supply with stripped/tinned wires, Output: 3.3V DC, Input: 100-240V AC, 50-60Hz, Output Power: 3.3W max.

### Mechanical Parameters

Size	Ø12x32 mm
Material	aluminium
Cable length	150 mm
Wire type	26AWG, 0,14mm <sup>2</sup>
Output Aperture	5.5 mm
Housing Color	black
Weight	16.5 g
Stripping of wire	5 mm

(\*) Over the complete operating temperature range

### Features



- Image processing
- Uniform line thickness
- Laser Class 1
- Compact size
- Glas lenses anti reflex coated

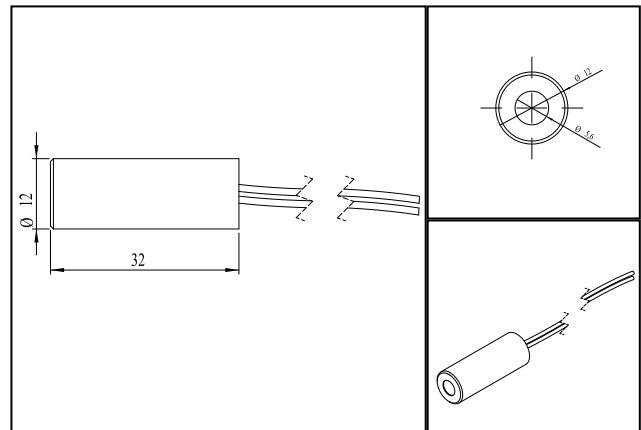
### Picture



### Cable color

Ground		black	GND
Positive		red	3 - 6, typ 3 V DC

### Drawing



### Safety Label



### Valid Revision

| 22-APR-2021