

## Line laser, red, 635 nm, 115°, 15 mW

LH635-15-3(14x45)115DEG-F250  
Order Number: 70117011

Main Parameters (*)	min	typ	max	Unit
Wavelength		635		nm
Optical Output Power		15		mW
Operating Voltage	2.7	3	3.3	V DC
Operating Current	30	50	70	mA
Operating Temperature	-20		50	°C
Storage Temperature	-40		80	°C

### Main Data

Warranty 1 years

### Technical Parameters

Lifetime > 10,000 h  
RoHS yes

### Optical Parameters

Beam Shape Line  
Laser Class 2  
Divergence H - 1.0 mrad  
Fan Angle 115°  
Line Thickness <0.3mm@0.25m  
Operating Distance 0.25 m  
Optics glass lens AR coated  
Laser technology Single Mode Diode  
Focus fixed (250mm)

### Electrical Parameters

Potential of Housing isolated  
Power Supply Power Supply with stripped/tinned wires, Output: 3.3V DC, Input: 100-240V AC, 50-60Hz, Output Power: 3.3W max.

### Mechanical Parameters

Size Ø14x45 mm  
Material aluminium  
Cable length 100 mm  
Wire type 26AWG, 0,14mm<sup>2</sup>  
Output Aperture 5.5 mm  
Housing Color black  
Weight 18 g  
Stripping of wire 5 mm

(\*) Over the complete operating temperature range

### Features



- Laser Class 2
- Low power consumption
- Image processing

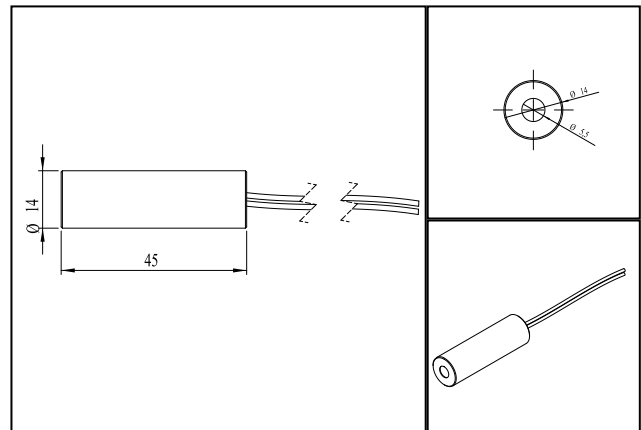
### Picture



### Cable color

Ground  black GND  
Positive  red 2.7 - 3.3, typ 3 V DC

### Drawing



### Safety Label



### Valid Revision

23 | 23-JUL-2020