

Line laser, red, 635 nm, 90°, 15 mW

LH635-15-3(14x45)
Order Number: 70117066

| Main Parameters (*) | min | typ | max | Unit |
|-----------------------|-----|-----|-----|------|
| Wavelength | | 635 | | nm |
| Optical Output Power | | 15 | | mW |
| Operating Voltage | 2.7 | 3 | 3.3 | V DC |
| Operating Current | 30 | 65 | 90 | mA |
| Operating Temperature | -20 | | 50 | °C |
| Storage Temperature | -40 | | 80 | °C |

Main Data

Warranty 1 years

Technical Parameters

Lifetime > 10,000 h
RoHS yes

Optical Parameters

Beam Shape Line
Laser Class 2
Divergence H - 1.0 mrad
Fan Angle 90°
Line Thickness <2mm@3m
Operating Distance 3 m
Optics glass lens AR coated
Laser technology Single Mode Diode
Focus fixed (3000mm)

Electrical Parameters

Potential of Housing isolated
Power Supply Power Supply with stripped/tinned wires, Output: 3.3V DC, Input: 100-240V AC, 50-60Hz, Output Power: 3.3W max.

Mechanical Parameters

Size Ø14x45 mm
Material aluminium
Cable length 100 mm
Wire type 26AWG, 0,14mm²
Output Aperture 5.5 mm
Housing Color black
Weight 18 g
Stripping of wire 5 mm

(*) Over the complete operating temperature range

Features



- Laser Class 2
- Low power consumption
- Uniform line thickness
- Image processing

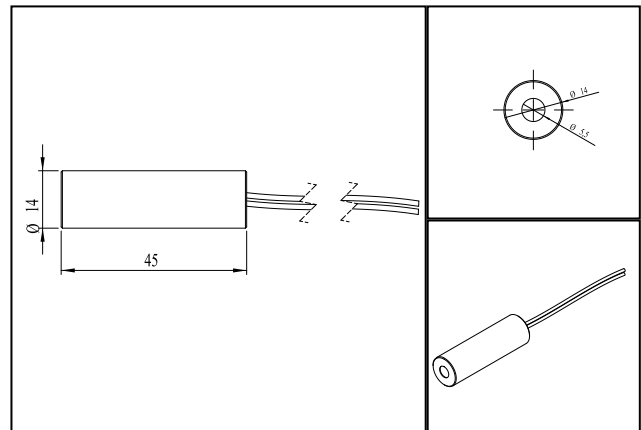
Picture



Cable color

Ground  black GND
Positive  red 2.7 - 3.3, typ 3 V DC

Drawing



Safety Label



Valid Revision

23 | 07-FEB-2019