

## Line laser, red, 650 nm, 90°, 3 mW

LG650-3-5(10x21)-F500  
Order Number: 70103335

Main Parameters (*)	min	typ	max	Unit
Wavelength		650		nm
Optical Diode Power		3		mW
Operating Voltage	4.5	5	5.5	V DC
Operating Current	15	25	40	mA
Operating Temperature	-20		50	°C
Storage Temperature	-40		80	°C

### Main Data

Warranty 1 years

### Technical Parameters

Lifetime	> 5,000 h
RoHS	yes

### Optical Parameters

Beam Shape	Line
Laser Class	1
Divergence	G - 0.8 mrad
Fan Angle	90°
Line Thickness	<0.5mm@0.5m
Operating Distance	0.5m
Optics	glass lens AR coated
Laser technology	Single Mode Diode
Focus	fixed (500mm)

### Electrical Parameters

Potential of Housing	isolated
Power Supply	Power Supply with stripped/tinned wires, Output: 5V DC, Input: 100-240V AC, 50-60Hz, Output Power: 3W max.

### Mechanical Parameters

Size	Ø10x21 mm
Material	Brass
Cable length	100 mm
Output Aperture	5 mm
Housing Color	black
Weight	7 g
Stripping of wire	5 mm

(\*) Over the complete operating temperature range

### Features



- Operating Voltage 5V DC
- Laser Class 1
- Fixed focus
- Uniform line thickness
- Glas lenses anti reflex coated

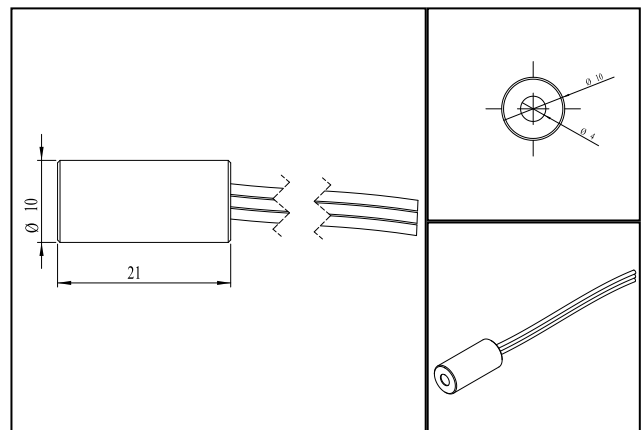
### Picture



### Cable color

Ground		blue	GND
Positive		red	4.5 - 5.5, typ 5 V DC

### Drawing



### Safety Label



### Valid Revision

4 | 06-SEP-2023