

Line laser, red, 635 nm, 90°, 2 mW

LG635-2-3(12x25)
Order Number: 70102727

Main Parameters (*)	min	typ	max	Unit
Wavelength		635		nm
Optical Output Power		2		mW
Operating Voltage	2.7	3	3.3	V DC
Operating Current	20	35	55	mA
Operating Temperature	-20		50	°C
Storage Temperature	-40		80	°C

Main Data

Warranty 1 years

Technical Parameters

Lifetime > 5,000 h
RoHS yes

Optical Parameters

Beam Shape Line
Laser Class 1
Divergence G - 0.8 mrad
Fan Angle 90°
Line Thickness <1.5mm@2m
Operating Distance 2 m
Optics glass lens AR coated
Laser technology diode
Focus fixed (2000mm)

Electrical Parameters

Potential of Housing VDD(+)
Power Supply Power Supply with stripped/tinned wires, Output: 3.3V DC, Input: 100-240V AC, 50-60Hz, Output Power: 3.3W max.

Mechanical Parameters

Size Ø12x25 mm
Material aluminium
Cable length 100 mm
Wire type 26AWG, 0,14mm²
Output Aperture 6.5 mm
Weight 8.2 g

(*) Over the complete operating temperature range

Features



- Fan angle 90°
- Glas lenses anti reflex coated
- Laser Class 1
- Operating Voltage 3V DC
- Fixed focus

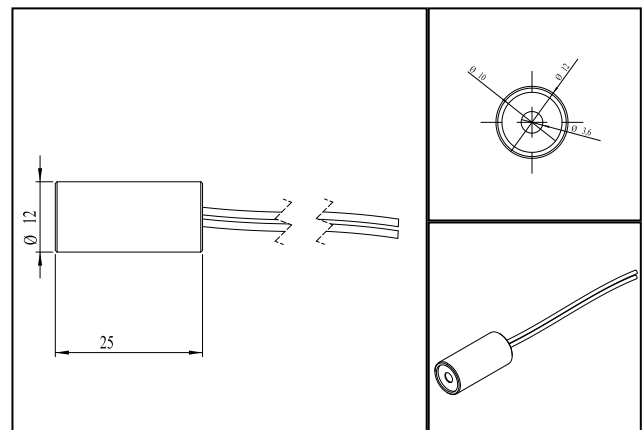
Picture



Cable color

Ground		black	GND
Positive		red	2.7 - 3.3, typ 3 V DC

Drawing



Safety Label



Valid Revision

4 | 23-JUL-2020