

Expander Laser, infrared, 808 nm, 40°, 200 mW

LFT808-200-3(19x22)
Order Number: 70104585

- Operating Voltage 3V DC
- Fixed focus
- High Power
- Laser Class 3B
- Compact size

Main Parameters (*)	min	typ	max	Unit
Wavelength		808		nm
Optical Output Power		200		mW
Operating Voltage	2.7	3	3.3	V DC
Operating Current	150	300	450	mA
Operating Temperature	-20		40	°C
Storage Temperature	-40		80	°C

Main Data

Warranty 1 years

Technical Parameters

Lifetime	> 5,000 h
RoHS	yes

Optical Parameters

Beam Shape	expander
Laser Class	3B
Fan Angle	40°
Size of Laserdot	<100..400mm@0.5m
Operating Distance	0.5m
Optics	glass lens AR coated
Laser technology	diode
Protection Lens	no
Focus	fixed (500mm)

Electrical Parameters

Potential of Housing	VDD(+)
Power Supply	Power Supply with stripped/tinned wires, Output: 3.3V DC, Input: 100-240V AC, 50-60Hz, Output Power: 3.3W max.

Mechanical Parameters

Size	Ø19x22 mm
Material	Brass
Cable length	170 mm
Weight	29 g
PCB	yes

(*) Over the complete operating temperature range

Features

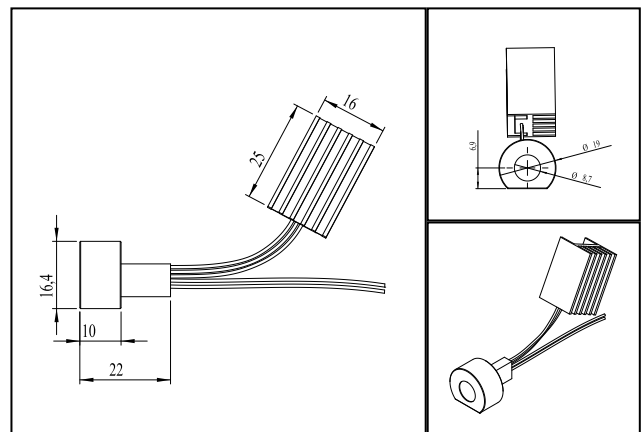
Picture



Cable color

Ground		black	GND
Positive		red	2.7 - 3.3, typ 3 V DC

Drawing



Safety Label



Valid Revision

8 | 07-FEB-2019